

PARTS LIST

MDVN 26 K

VERSION:

- STANDARD
- SKID



Via Bernezzo 67 – 12023 CARAGLIO (CN) –ITALIA

TEL: +39 0171 619676 – FAX: +39 0171 619677

E-MAIL: info@rotairspa.com WEB: <http://www.rotairspa.com>

Copyright © 2014, ROTAIR S.P.A. - All rights reserved This manual is intellectual property of ROTAIR S.P.A. Its full or partial reproduction is forbidden under any form, on any support and by any means, without the written authorization by ROTAIR S.P.A.



PARTS LIST

Motocompressor – MDVN 26K

Revision: 03

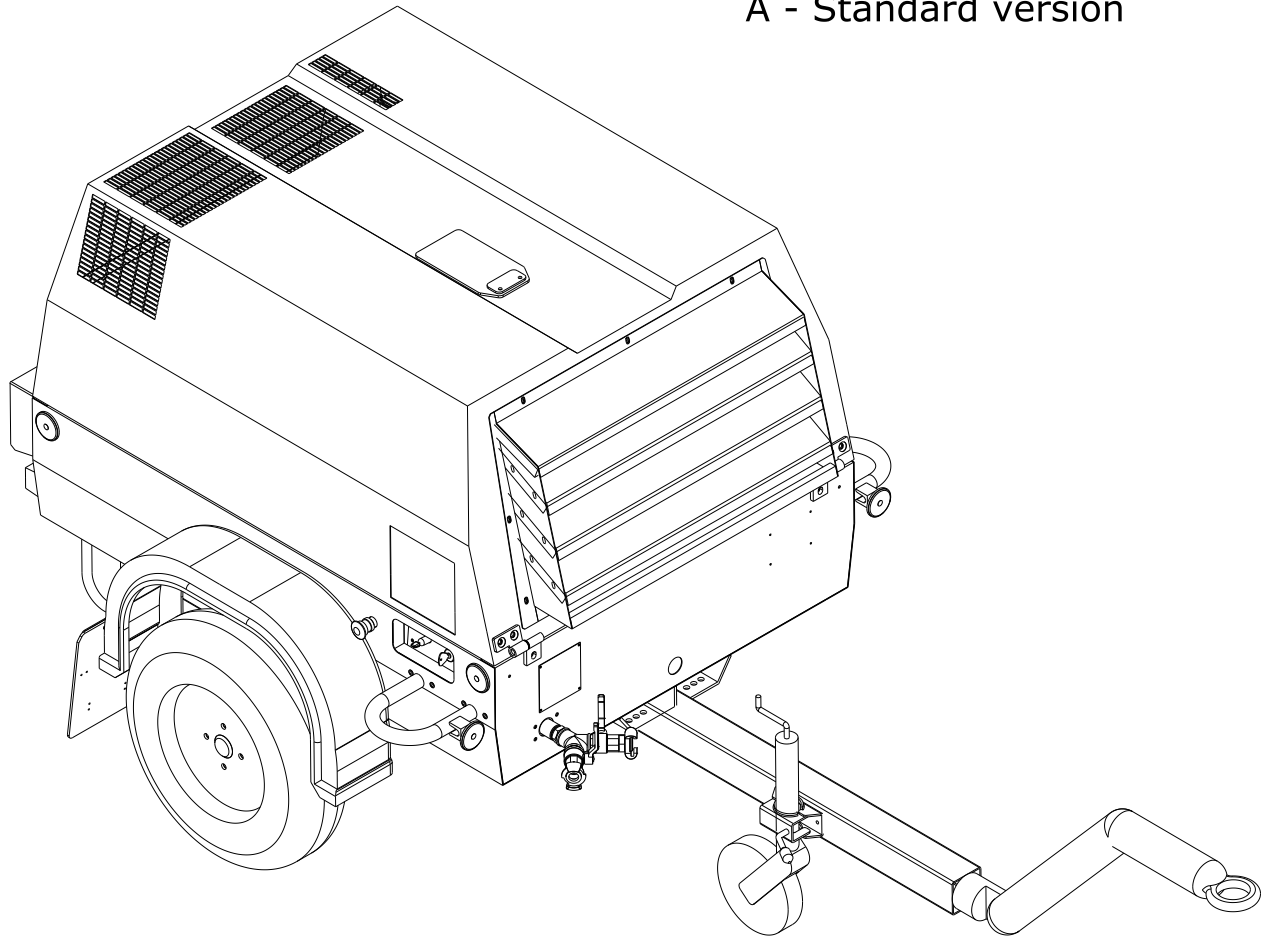
17-02-2016

PARTS LEGENDA: Chassis version

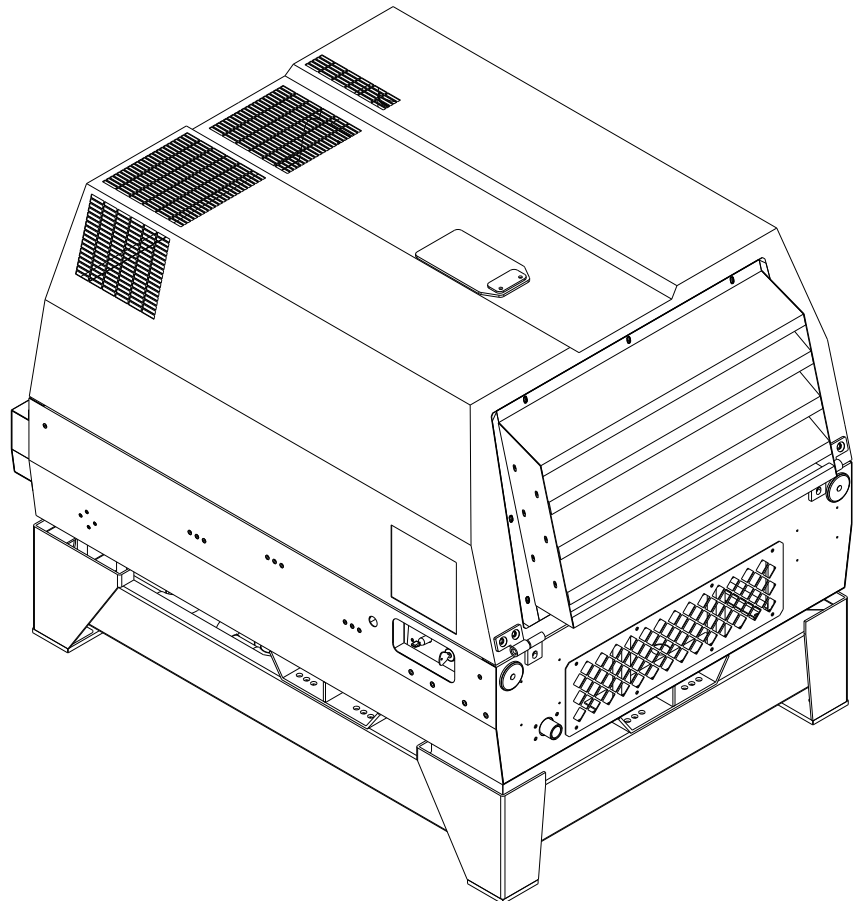
Tab. 01.0

| REF | NAME | CODE | QUANTITY |
|-----|------------------|------|----------|
| 1 | Standard version | A | --- |
| 2 | Skid version | B | --- |

A - Standard version



B - Skid version



Rev. 03 / 17-02-2016

Tab. 01

MDVN 26K -Chassis versions

ROTAIR

Motocompressor – MDVN 26K

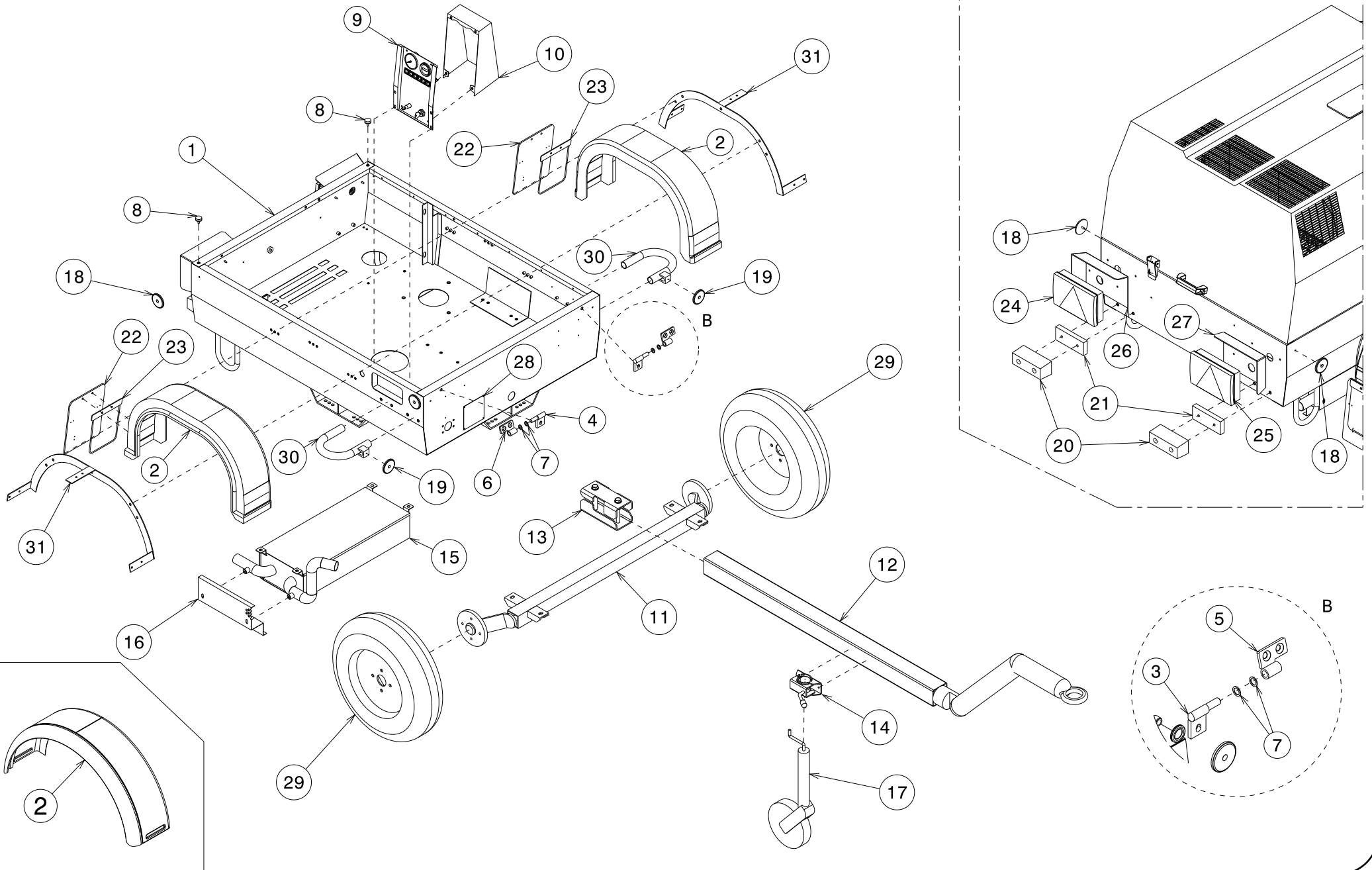
Revision: 03

18-02-2016

PARTS LEGENDA: Chassis version

Tab. 01.1

| REF | NAME | CODE | QUANTITY | |
|---|---|-----------------------|-------------|---|
| HOMOLOGATED AXLE WITH BRAKES | | | | |
| 1 | Chassis | 038-0910-S | 1 | |
| 2 | Plastic mudguards | 055-010-S | 2 | |
| | Mudguards | 055-0154-S | 2 | |
| 3 | Fixed left hinge | 007-023-S | 1 | |
| 4 | Fixed right hinge | 007-022-S | 1 | |
| 5 | Left hinge | 007-007502-S | 1 | |
| 6 | Right hinge | 007-007500-S | 1 | |
| 7 | Washer | 015-008-S | 4 | |
| 8 | Silent block | 061-900-S | 2 | |
| 9 | Control panel assembly | 024-50310-F | 1 | |
| 10 | Protective control panel casing | 005-104900-S | 1 | |
| 11 | Axle | 026-05405-S | 1 | |
| 12 | Drawbar | 046-03605-S | 1 | |
| 13 | Axle clamping section | 212-0462-S | 1 | |
| 14 | Adjusting clamp | 212-0450-S | 1 | |
| 15 | Muffler | 042-06661-S | 1 | |
| 16 | Muffler protection | 124-297918-S | 1 | |
| 17 | Foot + wheel | 068-010-S | 1 | |
| 18 | Orange reflector d. 60 | 147-061-S | 4 | |
| 19 | White reflector d.60 | 147-071-S | 2 | |
| 20 | Rubber buffer | 197-004-S | 2 | |
| 21 | Bumper spacer | 009-31300-S | 2 | |
| 22 | Rubber skirt | 032-0705-S | 2 | |
| 23 | Rubber skirt support | 010-29900-S | 2 | |
| 24 | Left Rear light | 142-001-S | 1 | |
| 25 | Right Rear light | 142-002-S | 1 | |
| 26 | Left Rear light support and protection | From Serial No.C39034 | 010-11247-S | 1 |
| 27 | Right Rear light support and protection | | 010-11249-S | 1 |
| 28 | Compressor serial no. plate | 238-1457-S | 1 | |
| 29 | Tyre | 054-072-S | 2 | |
| 30 | Side bumper | 032-1063-S | 2 | |
| 31 | Plastic mudguards support | 010-310-S | 2 | |
| HOMOLOGATED AXLE - NO BRAKES | | | | |
| 11 | Axle | 026-05400-S | 1 | |
| 12 | Drawbar | 046-03600-S | 1 | |
| 13 | Axle clamping section | 212-0460-S | 1 | |
| NON HOMOLOGATED AXLE - NO BRAKES | | | | |
| 11 | Axle | 026-05400-S | 1 | |
| 12 | Drawbar | 046-03601-S | 1 | |
| 13 | Axle clamping section | 212-0460-S | 1 | |



PARTS LIST

Motocompressor – MDVN 26K

Revision: 03

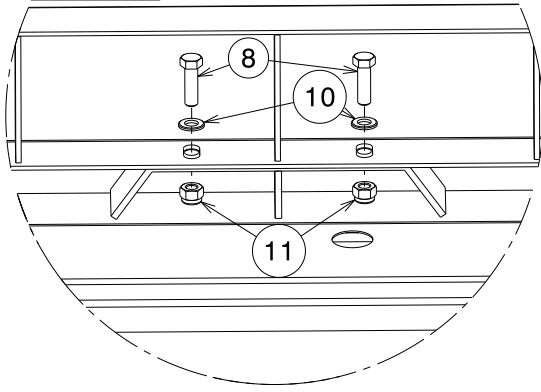
17-02-2016

PARTS LEGENDA: Skid Subframe

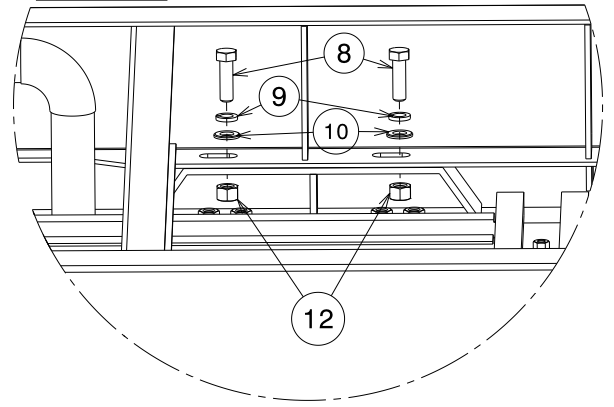
Tab. 01.2

| REF | DESCRIPTION | CODE No. | QUANTITY |
|-----|------------------------------------|---------------|----------|
| 1 | Skid subframe | 038-0910020-S | 1 |
| 2 | Chassis | 038-0910-S | 1 |
| 3 | Muffler | 042-06661-S | 1 |
| 4 | Pipe clamp d.45x8 | 149-054-S | 1 |
| 5 | Muffler extension for skid version | 119-04950-S | 1 |
| 6 | Seal for muffler d.40 th..5 | 023-077-S | 4 |
| 7 | Silent Block | 061-006-S | 4 |
| 8 | T.E. M12x40 screw | 132-194-S | 10 |
| 9 | Elastic washer | 139-060-S | 8 |
| 10 | Flat washer d.13 | 015-034-S | 10 |
| 11 | Self-locking nut M12 | 137-060-S | 2 |
| 12 | Hex nut M12 UNI 5587 | 135-060-S | 4 |

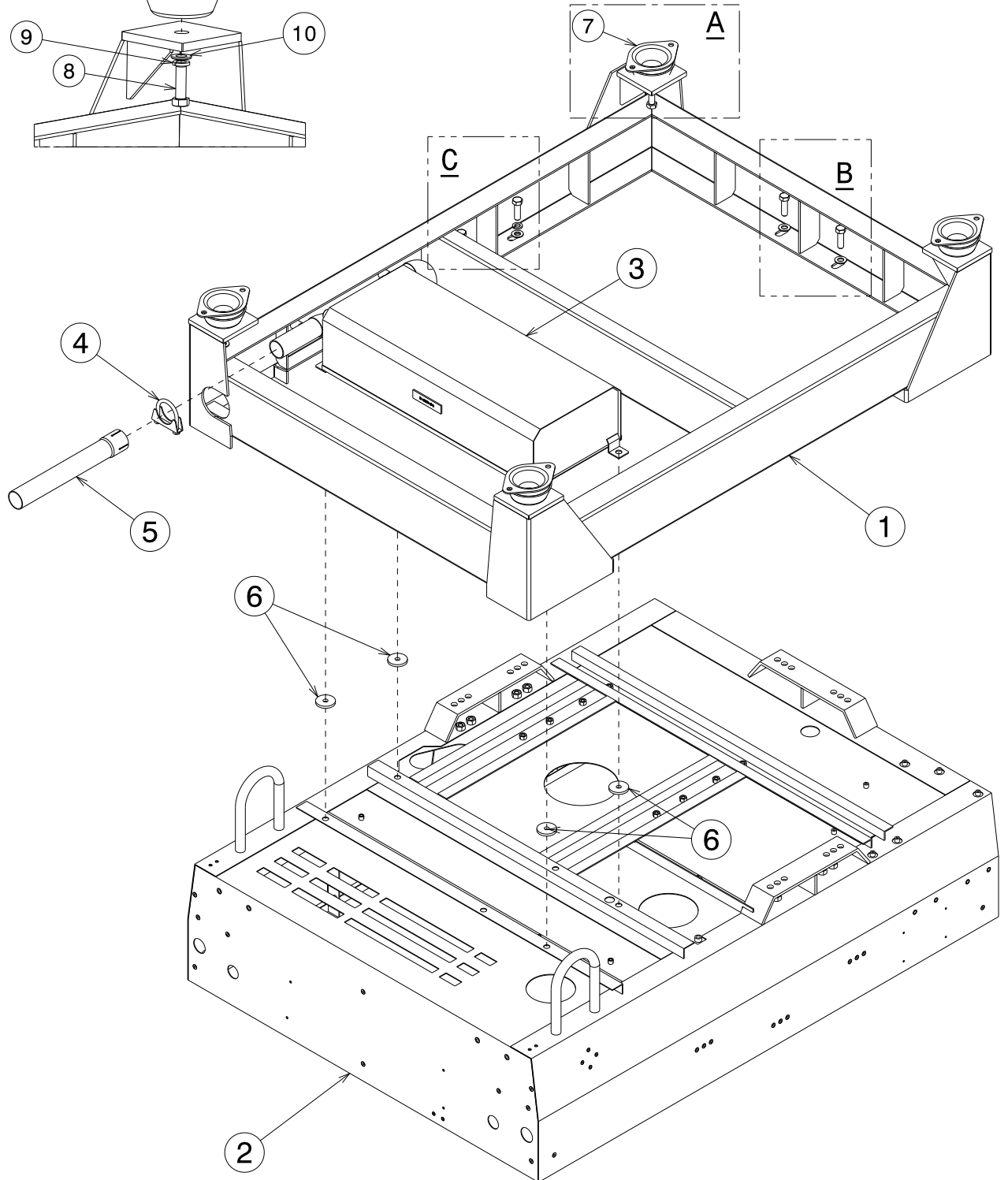
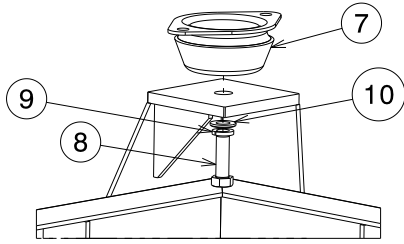
Detail B



Detail C



Detail A



Motocompressor – MDVN 26K

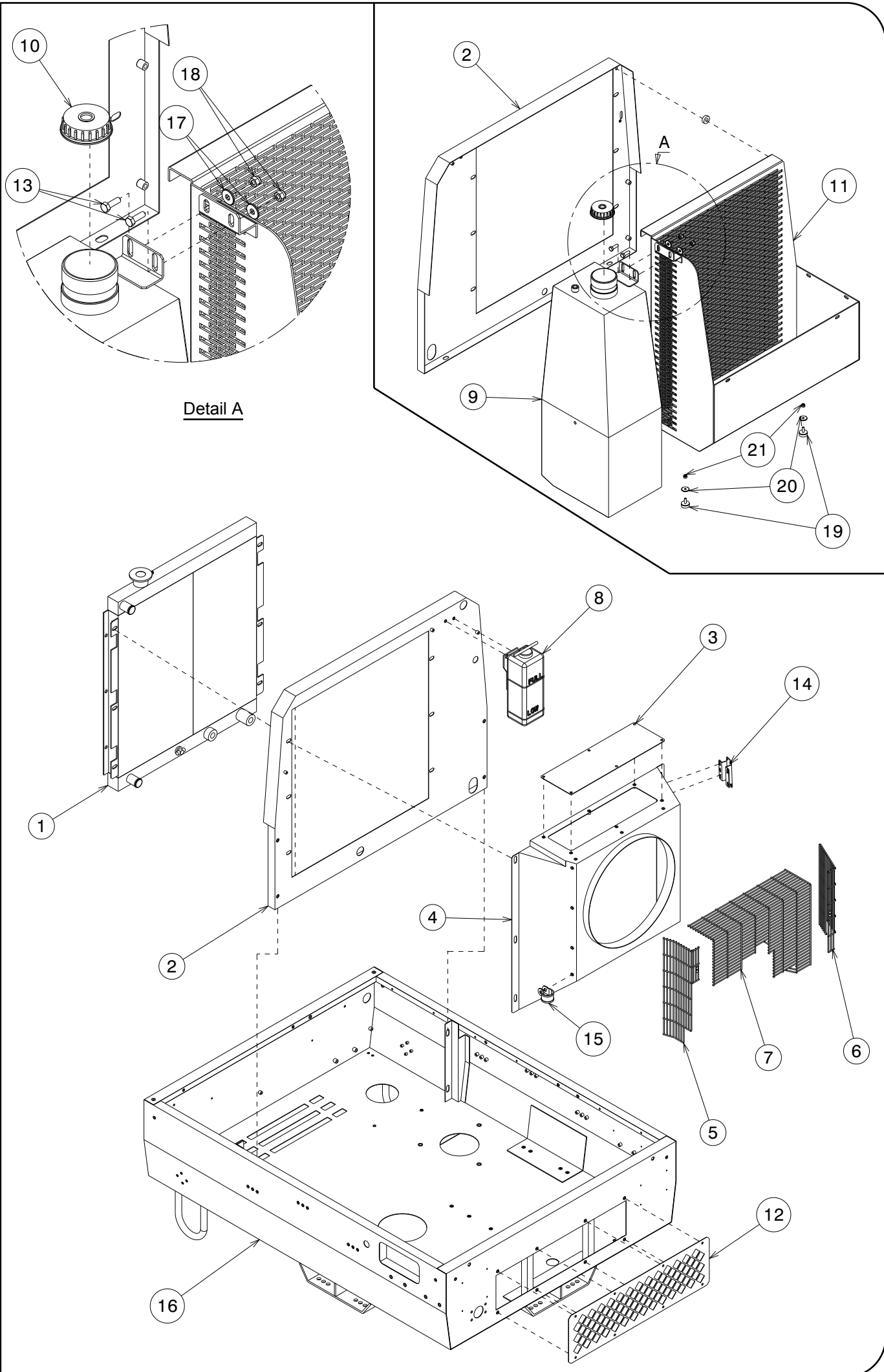
Revision: 04

17-02-2019

PARTS LEGENDA: Fan cover – Radiator - Fuel tank

Tab. 02

| REF | NAME | | CODE | QUANTITY |
|-----|--------------------------------------|---------------------------------|--------------|----------|
| 1 | Water-oil radiator | | 011-09141-S | 1 |
| 2 | Radiator support | | 049-11021-S | 1 |
| 3 | Panel on the fan cover | | 124-29604-S | 1 |
| 4 | Fan cover | | 001-16061-S | 1 |
| 5 | Right side fan protection grid panel | | 124-297912-S | 1 |
| 6 | Left side fan protection grid panel | | 124-297910-S | 1 |
| 7 | Upper fan protection grid panel | | 124-297914-S | 1 |
| 8 | Expansion tank kit | | 044-098065-S | 1 |
| 9 | Gasoil tank 40lt (10,50 gal) | | 201-04010-S | 1 |
| 10 | Gasoil tank plug | | 193-0180-S | 1 |
| 11 | Toolbox | | 029-04920-S | 1 |
| 12 | Closing panel STD | Available from serial No.C38952 | 124-297922-S | 1 |
| | Closing panel (Tropicalized) | | 124-297920-S | 1 |
| 13 | Exagon bolt M8x25 UNI 5739 | | 132-102-S | 2 |
| 14 | Valves group support | | 010-314-S | 1 |
| 15 | Iron clamp D1 D.35 | | 149-237-S | 1 |
| 16 | Chassis | | 038-0910-S | 1 |
| 17 | Flat washer 8x24x2 UNI6593 | | 015-031-S | 2 |
| 18 | Nut M8 UNI 7473 | | 137-040-S | 2 |
| 19 | Silent block | | 061-900-S | 2 |
| 20 | Flat washer 6x24x2 UNI6593 | | 015-038-S | 2 |
| 21 | Nut M6 | | 137-030-S | 2 |



Motocompressor – MDVN 26K

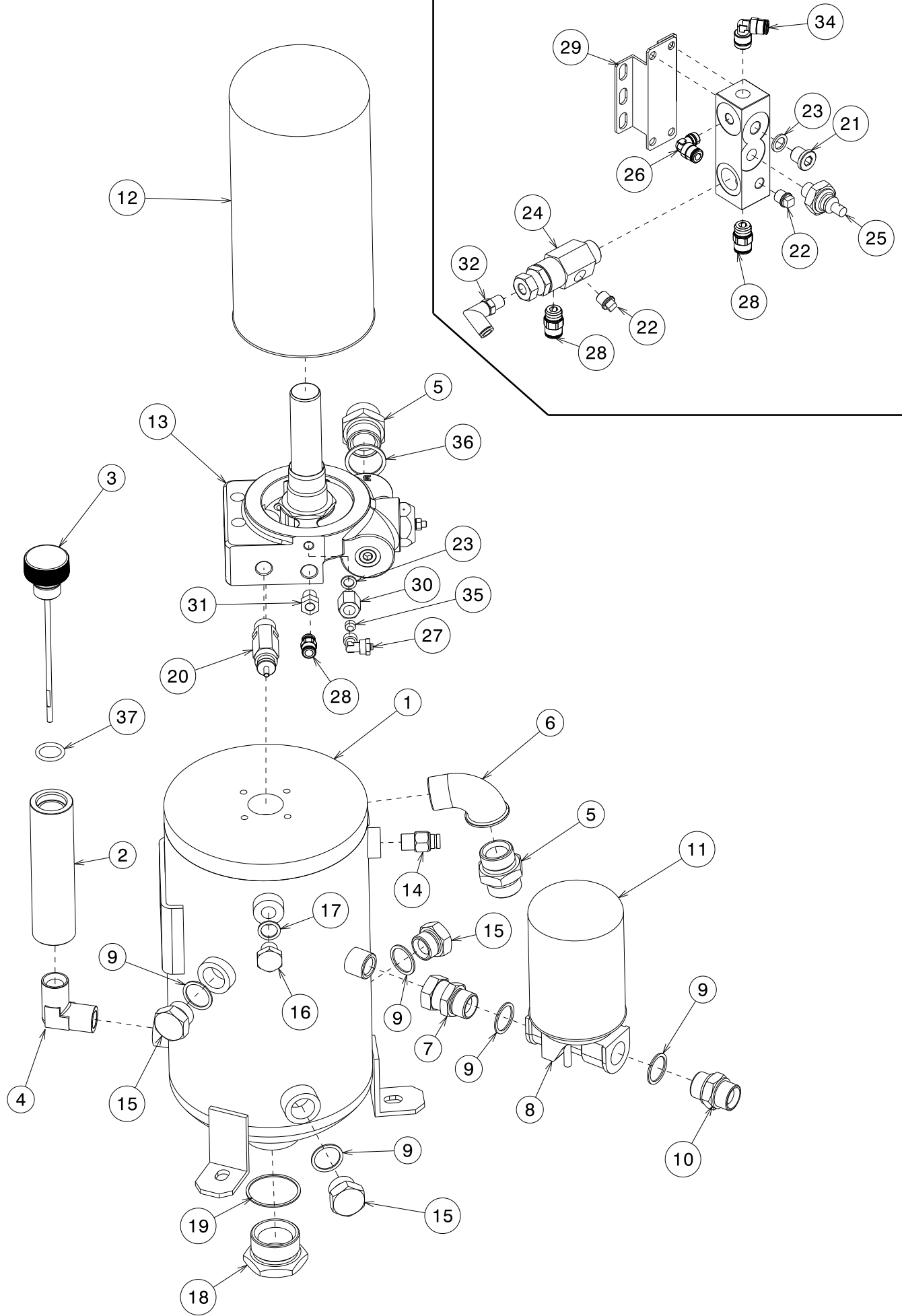
Revision: 03

17-02-2016

PARTS LEGENDA: Separator tank

Tab. 03

| REF | NAME | CODE | QUANTITY |
|-----|---|--------------|----------|
| 1 | Separator tank (2.7 gal – 10 lt) | 037-00101-S | 1 |
| 2 | Oil sleeve | 063-1205-S | 1 |
| 3 | Oil level rod plug | 106-01060-S | 1 |
| 4 | Conical 90° M+M adapter coupling (3/4") | 148-287.35-S | 1 |
| 5 | Double screw 1" at 1 1/4" | 187-070-S | 2 |
| 6 | Short radius curve M 3/4 + F 1 | 111-045-S | 1 |
| 7 | Straight adapter coupling M+f gir. 3/4 | 148-005-S | 1 |
| 8 | Oil compressor filter support | 010-0475-S | 1 |
| 9 | Copper waher D.Int.26,5x32x1,5 (3/4) | 015-015-S | 5 |
| 10 | Double screw 3/4 | 187-060-S | 1 |
| 11 | Compressor oil filter | 099-007-S | 1 |
| 12 | Separator filter | 157-170-S | 1 |
| 13 | Valve assembly | 024-021534-F | 1 |
| 14 | Compressor thermal contact 115' | 103-008-S | 1 |
| 15 | Male hexagonal head iron plug (3/4") | 106-130-S | 3 |
| 16 | Male hexagonal head iron plug (M16x1.5) | 106-100-S | 1 |
| 17 | Copper kasher D.Int.16x22x1,5 | 015-009-S | 1 |
| 18 | Male hexagonal head iron plug (1 1/2") | 106-137-S | 1 |
| 19 | Copper washer d. 48,4x53,4x1,3 (1 1/2) | 015-019.1-S | 1 |
| 20 | Safety valve | 033-059-S | 1 |
| 21 | Hexagonal head plug (M12x1.5) | 106-092-S | 1 |
| 22 | Square head plug (1/8") | 106-020-S | 2 |
| 23 | Copper washer (1/8") | 015-005-S | 2 |
| 24 | Pressure regulation valve assembly | 024-0323-F | 1 |
| 25 | Oil pressure switch 1,4bar | 154-030-S | 1 |
| 26 | 90° quick coupling (1/8") for pipe d.6 | 148-570-S | 1 |
| 27 | Quick coupling 90° (1/4") per tubo d.8 | 148-0901-S | 1 |
| 28 | Straight quick coupling (1/4") per tubo d.8 | 148-575-S | 2 |
| 29 | Valves group support | 010-314-S | 1 |
| 30 | Extension F+M L=30 (1/4" – 1/8") | 189-302-S | 1 |
| 31 | Reduction M with + F cil | 190-020-S | 1 |
| 32 | Rotating quick coupling 90° M (1/8") | 148-8001-S | 1 |
| 33 | Devices coupling block | 053-300-S | 1 |
| 34 | Quick coupling 90° (1/4") per tubo d.8 | 148-573.5-S | 1 |
| 35 | S.T screw with hexagon (1/8") | 218-00121-S | 1 |
| 36 | Copper washer | 015-018-S | 1 |
| 37 | Or seal 4087 viton | 023-026.5-S | 1 |



PARTS LIST

Motocompressor – MDVN 26K

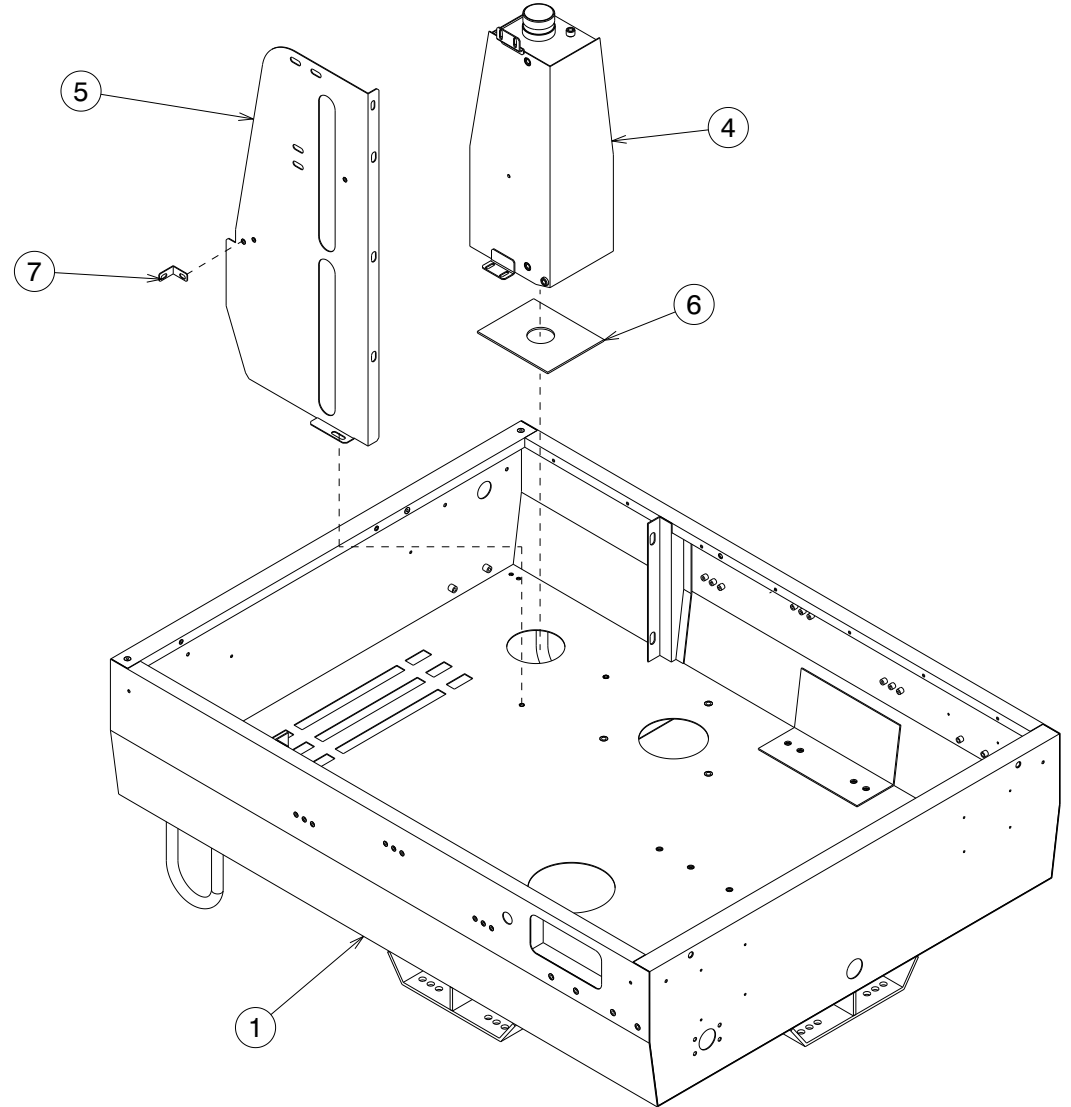
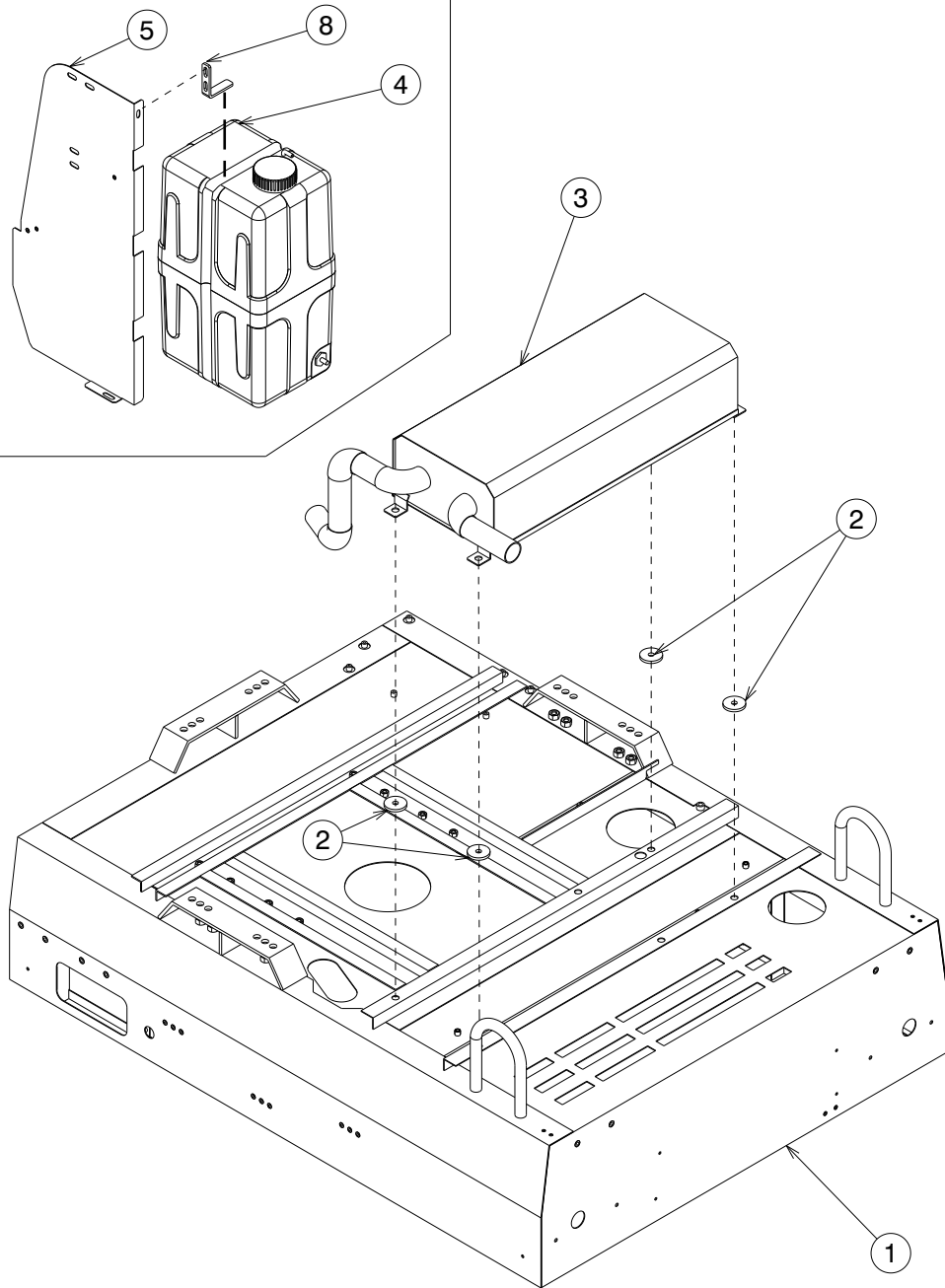
Revision: 04

17-02-2019

PARTS LEGENDA: Fuel tank - Muffler

Tab. 04

| REF | NAME | CODE | QUANTITY |
|-----|---|--------------|----------|
| 1 | Chassis | 038-0910-S | 1 |
| 2 | Muffler seal d.40 sp.5 d.40 sp.5 | 023-077-S | 4 |
| 3 | Muffler | 042-06660-S | 1 |
| 4 | Plastic fuel tank | 201-013-S | 1 |
| | 40lt fuel tank | 201-040101-S | 1 |
| 5 | Gasoil tank protection panel | 124-295101-S | 1 |
| | Gasoil tank protection panel 40lt | 124-295100-S | 1 |
| 6 | Gasoil tank rubber plate | 177-185-S | 1 |
| 7 | Gasoil tank protection panel clamping blade | 120-385-S | 1 |
| 8 | Plastic gasoil tank clamping blade | 120-36651-S | 1 |

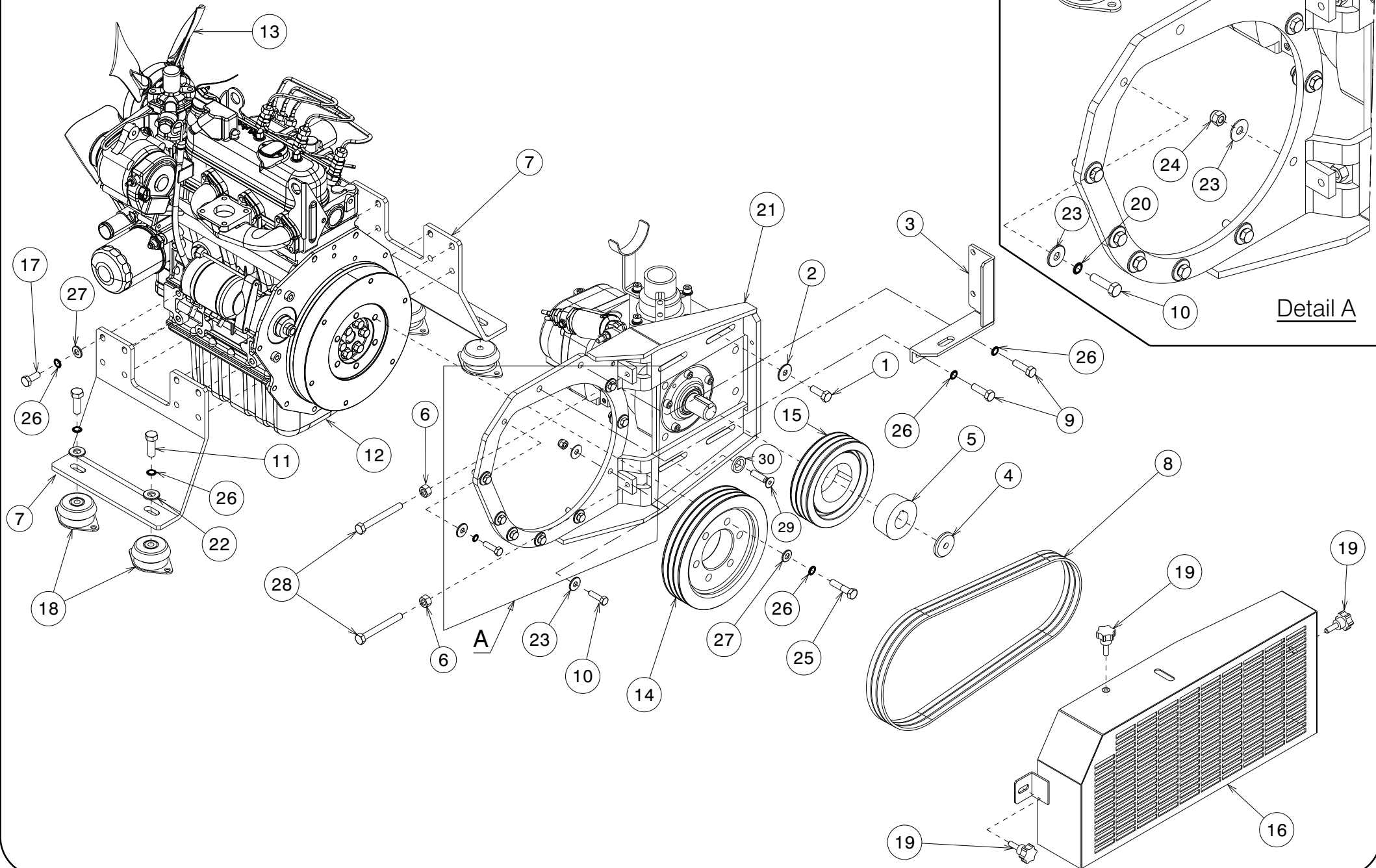


Motocompressor – MDVN 26K

PARTS LEGENDA: Engine

Tab. 05

| REF | NAME | | CODE | QUANTITY |
|-----|--------------------------------------|-------------------------------------|----------------|----------|
| 1 | Hexagonal head screw M10x30 UNI 5739 | | 132-143-S | 3 |
| 2 | Flat washer 10x30x2,5 UNI6593 | | 015-0328-S | 3 |
| 3 | Engine air filter support | Up to serial no.C37556 | 010-3052-S | 1 |
| | Engine air filter support | From serial no.C38460 | 010-30522-S | 1 |
| 4 | Compressor joint washer | | 015-063-S | 1 |
| 5 | Conical bush D.30 | | 959-02505-S | 1 |
| 6 | Exagonal nut M10 | | 135-050-S | 4 |
| 7 | Engine support | | 039-122120-S | 2 |
| 8 | Belts XPZ 1080 QUAD POWER IV | | 156-45351-S | 3 |
| 9 | Hex head screw M10x35 UNI 5739 | | 132-144-S | 2 |
| 10 | Hex head screw M8x30 | | 132-103-S | 9 |
| 11 | Hex head screw screw | | 132-193-S | 5 |
| 12 | Kubota Engine D1105 | | 165-4004-S | 1 |
| 13 | Fan | | 083-4070-S | 1 |
| 14 | Motor pulley 3g.dp.200 | | 050-47220-S | 1 |
| 15 | Compressor pulley 3g. dp.150 | | 050-54160-S | 1 |
| 16 | Belts protection grid panel | From serial No. C39490 | 124-29791621-S | 1 |
| | Belts protection grid panel | From serial No. C38460 Up to C39489 | 124-2979162-S | 1 |
| | Belts protection grid panel | Up to serial No. C37556 | 124-297916-S | 1 |
| 17 | Screw Hex.H. M 10x25x1,25 | | 132-1425-S | 16 |
| 18 | Silent block MD 3 SDD40 | | 061-05050-S | 2 |
| 19 | Knob | From serial No. C38460 | 185-0185-S | 3 |
| 20 | Schnorr washer d.8 | | 015-251-S | 6 |
| 21 | Engine air end support | | 010-2325021-S | 1 |
| 22 | Flat washer d. 13 | | 015-047-S | 2 |
| 23 | Flat washer 8x24x2 UNI6593 | | 015-031-S | 12 |
| 24 | Self-locking nut M8 UNI 7473 | | 137-040-S | 3 |
| 25 | Screw Hex.H. M 10x45x1,25 | | 132-146.5-S | 6 |
| 26 | Washer d.10 | | 015-252-S | 26 |
| 27 | Plane washer 10,2x21x2 | | 015-032-S | 22 |
| 28 | Screw Hex.H. M.10x 90 | | 132-1551-S | 2 |
| 29 | Socket head cap screw M10x30 UNI5933 | | 146-153-S | 1 |
| 30 | Spacer | | 009-2701-S | 1 |



Motocompressor – MDVN 26K

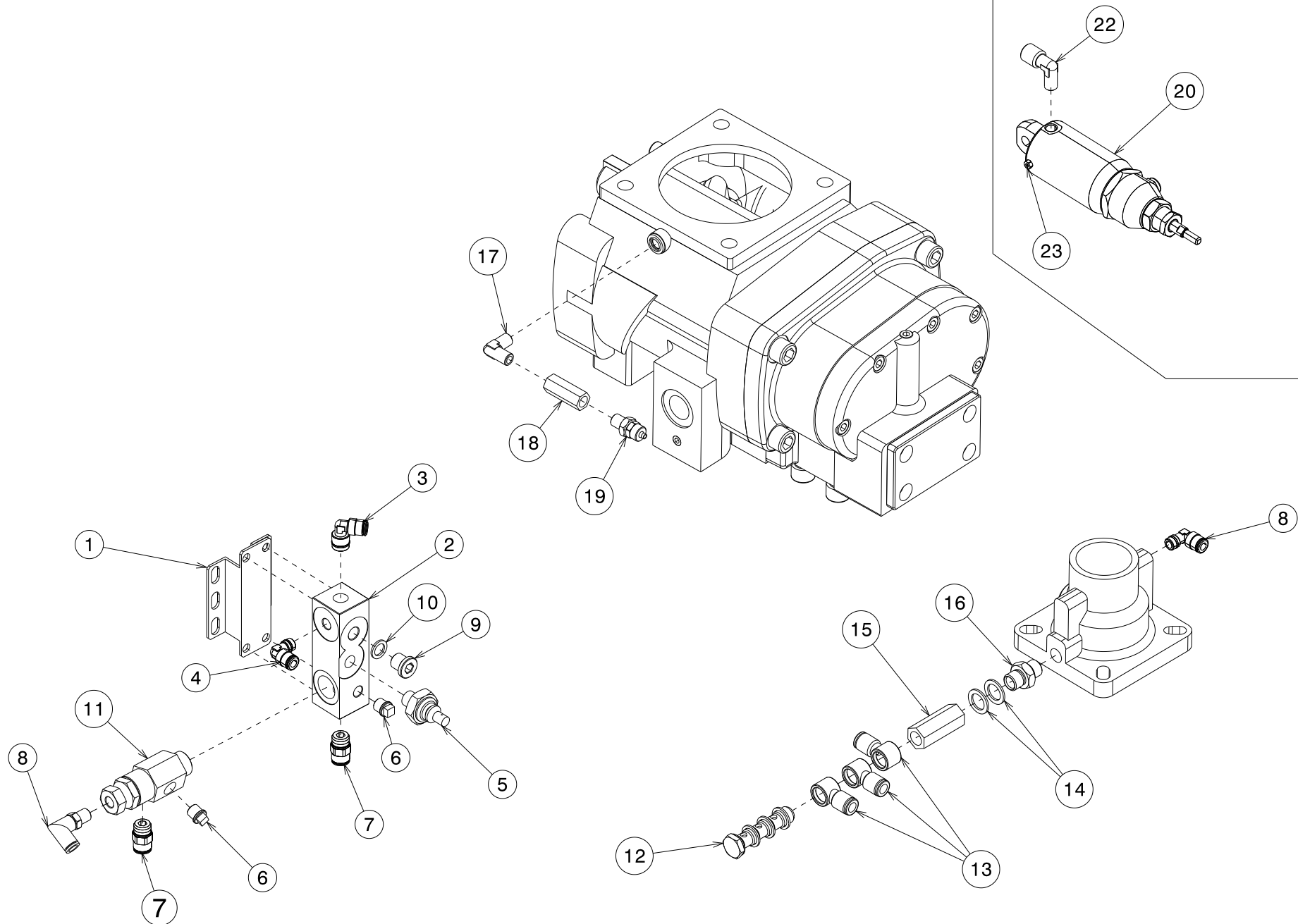
Revision: 03

17-02-2016

PARTS LEGENDA: Connections – Accelerator piston

Tab. 05.1

| REF | NAME | CODE | QUANTITY |
|-----|---|---------------|----------|
| 1 | Valves group support | 010-314-S | 1 |
| 2 | Devices coupling block | 053-300-S | 1 |
| 3 | Quick coupling 90° ¼" for pipe d. 8 | 148-573.5-S | 1 |
| 4 | Quick coupling 90° (1/8") for pipe d. 6 | 148-570-S | 2 |
| 5 | Oil pressure switch 1.4 bar | 154-030-S | 1 |
| 6 | Square head plug (1/8") | 106-020-S | 1 |
| 7 | Straight quick coupling (¼") for pipe d.8 | 148-575-S | 1 |
| 8 | Straight quick coupling (1/8") | 148-8001-S | 2 |
| 9 | Hexagonal head plug (M12x1.5) | 106-092-S | 1 |
| 10 | Copper washer (1/8") | 015-005-S | 1 |
| 11 | Pressure regulation valve assembly | 024-032.1-F | 1 |
| 12 | Quick coupling (¼") | 148-5900-S | 1 |
| 13 | Super quick coupling (¼") | 148-5901-S | 3 |
| 14 | Copper washer (¼") | 015-007-S | 2 |
| 15 | Non return valve 1/4" P<10 bar | 033-017-S | 1 |
| 16 | Double screw (¼") | 187-006-S | 1 |
| 17 | Adapter fitting 90° M+M (1/8") | 148-288-S | 1 |
| 18 | Non return valve (1/8") | 033-001-S | 1 |
| 19 | Straight coupling (1/8") for pipe d.6 | 148-040-S | 1 |
| 20 | Accelerator piston assembly | 044-0040522-S | 1 |
| 22 | 90° quick coupling (1/8") for pipe d.8 | 148-572-S | 1 |
| 23 | Screw with conical hexagon (1/8") | 218-001-S | 1 |



Motocompressor – MDVN 26K

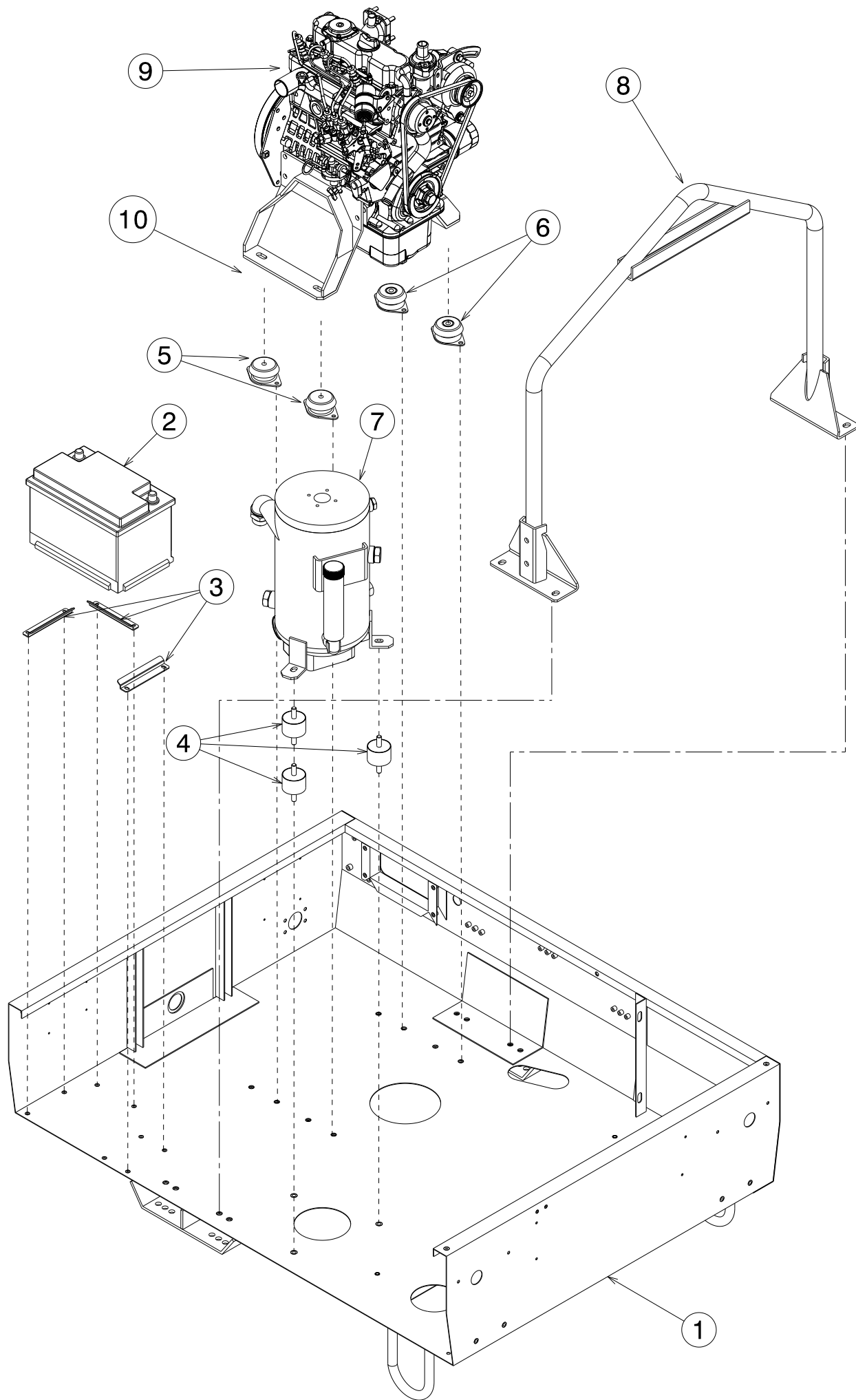
Revision: 04

20-07-2016

PARTS LEGENDA: Clampings to the frame

Tab. 06

| REF | NAME | CODE | QUANTITY |
|-----|--------------------------------|--------------|----------|
| 1 | Chassis | 038-0910-S | 1 |
| 2 | Battery | 174-007-S | 1 |
| 3 | Battery clamp | 115-009-S | 3 |
| 4 | Silent block Separator tank | 061-0112-S | 3 |
| 5 | Silent block engine support | 061-05051-S | 2 |
| 6 | Silent block engine support | 061-05050-S | 2 |
| 7 | Separator tank (2.7 gal -10lt) | 037-00101-F | 1 |
| 8 | Hoisting hook | 017-045501-S | 1 |
| 9 | Engine | 165-4004-S | 1 |
| 10 | Engine support | 039-122120-S | 2 |



Motocompressor – MDVN 26K

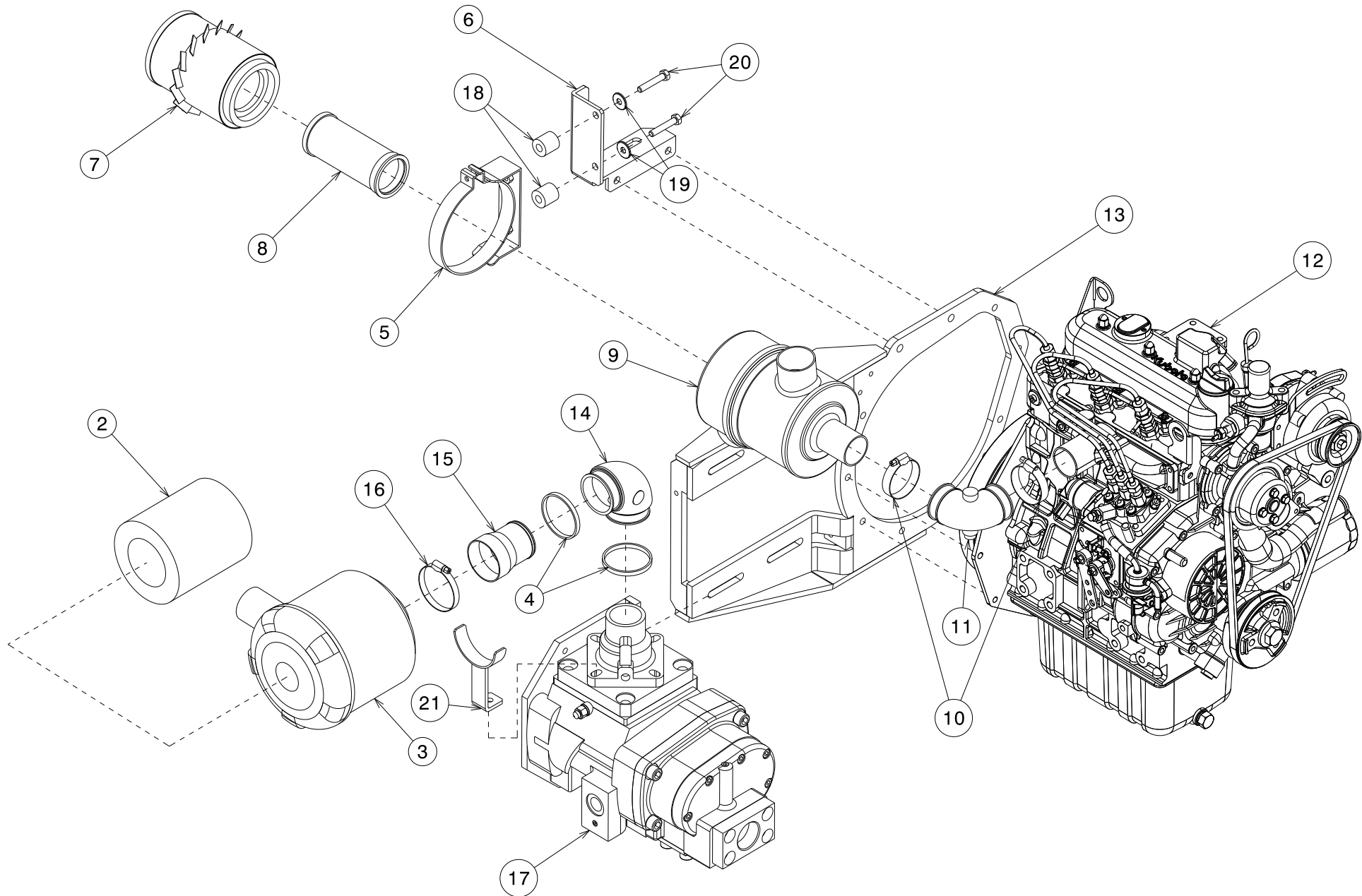
Revision: 03

17-02-2016

PARTS LEGENDA: Air intake

Tab. 07

| REF | NAME | CODE | QUANTITY |
|-----|------------------------------------|------------------------|----------|
| 1 | Pressure regulation valve assembly | 024-138151-F | 1 |
| 2 | Air filter | 162-0075-S | 1 |
| 3 | Engine filter group | 014-423-S | 1 |
| 4 | Pipe clamp d.40x60 | 149-135-S | 2 |
| 5 | Engine air filter support clamp | 149-384-S | 1 |
| 6 | Engine filter group support | From serial No. C38676 | 1 |
| | Engine filter group support | 010-3052-S | 1 |
| 7 | First stage engine air filter | 162-112-S | 1 |
| 8 | Second stage engine air filter | 162-113-S | 1 |
| 9 | Engine air filter | 014-397-S | 1 |
| 10 | Pipe clamp d.35-50 | 149-131-S | 4 |
| 11 | Short radius curve | 111-103-S | 1 |
| 12 | Kubota engine D1105 | 165-400-S | 1 |
| 13 | Airend support | 010-2325021-S | 1 |
| 14 | Elbow for regulator air suction | 111-102-S | 1 |
| 15 | Reduction 60-52 | 190-60396-S | 1 |
| 16 | Pipe clamp d.50x70 | 149-140-S | 1 |
| 17 | Airend | 024-03291021-S | 1 |
| 18 | Spacer | 009-2395-S | 2 |
| 19 | Flat washer UNI 6593 | 015-031-S | 2 |
| 20 | Hex head screw M8x45 UNI 5739 | 132-106-S | 2 |
| 21 | Air filter group support blade | 120-384502-S | 1 |



Motocompressor – MDVN 26K

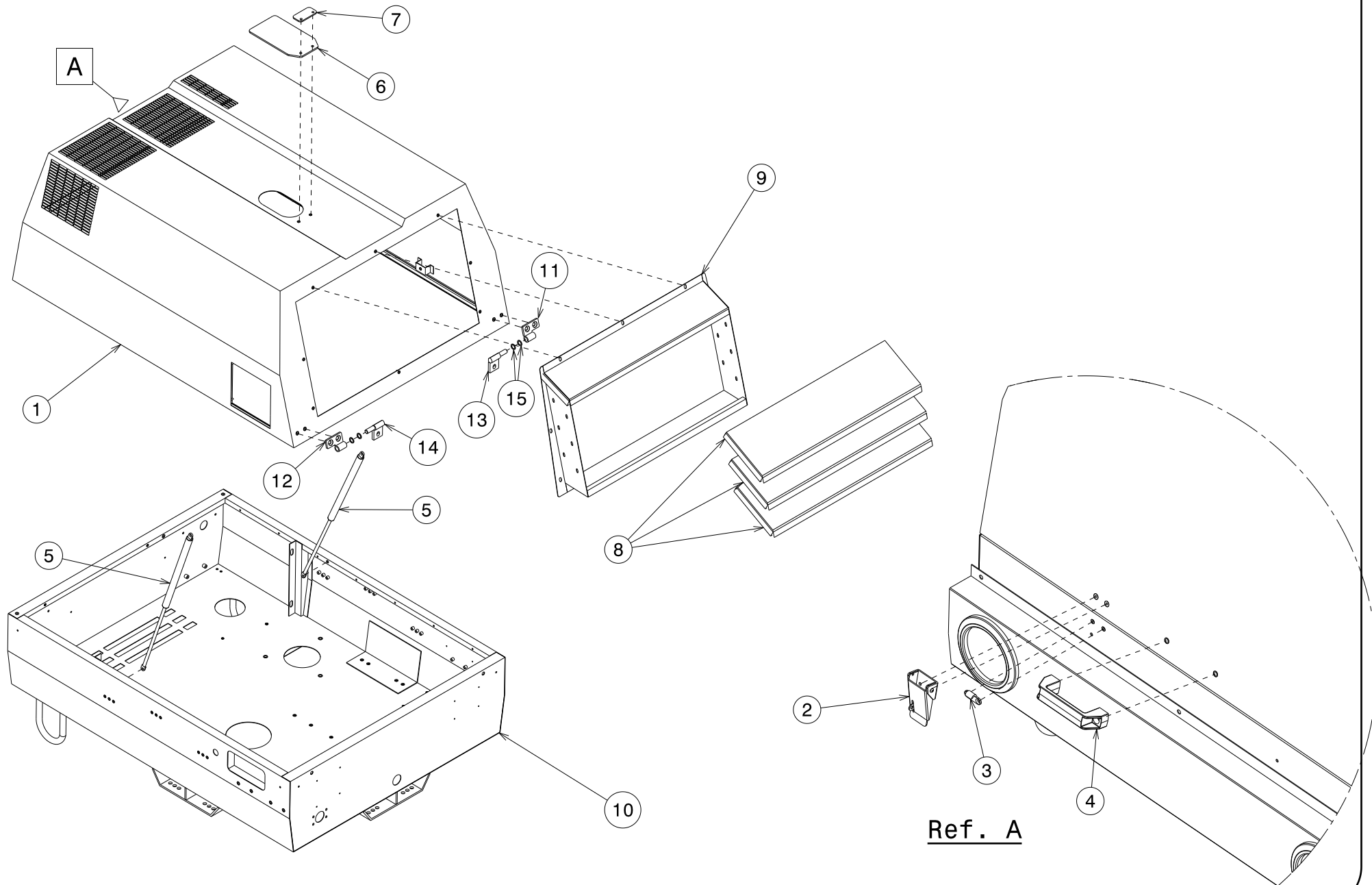
Revision: 04

20-07-2016

PARTS LEGENDA: Hood assembly

Tab. 08

| REF | NAME | CODE | QUANTITY |
|-----|-------------------------------|------------------------|----------|
| 1 | Canopy | 036-16102-S | 1 |
| 2 | Lock | 128-010-S | 1 |
| 3 | Lock | 128-011-S | 1 |
| 4 | Handle | 209-009-S | 1 |
| 5 | Lifting piston | From serial No. C38252 | 2 |
| | Lifting piston | 091-094-S | 2 |
| 6 | Rubber plate for hosting hook | 177-200-S | 1 |
| 7 | Rubber holding plate | 208-004-S | 1 |
| 8 | Air intake sound-proof panel | 124-2948505-S | 4 |
| 9 | Air intake | 022-01105-S | 1 |
| 10 | Chassis | 038-0910-S | 1 |
| 11 | Left hinge | 007-007502-S | 1 |
| 12 | Right hinge | 007-007500-S | 1 |
| 13 | Fixed left hinge | 007-023-S | 1 |
| 14 | Fixed Right hinge | 007-022-S | 1 |
| 15 | Washer | 015-008-S | 4 |



Motocompressor – MDVN 26K

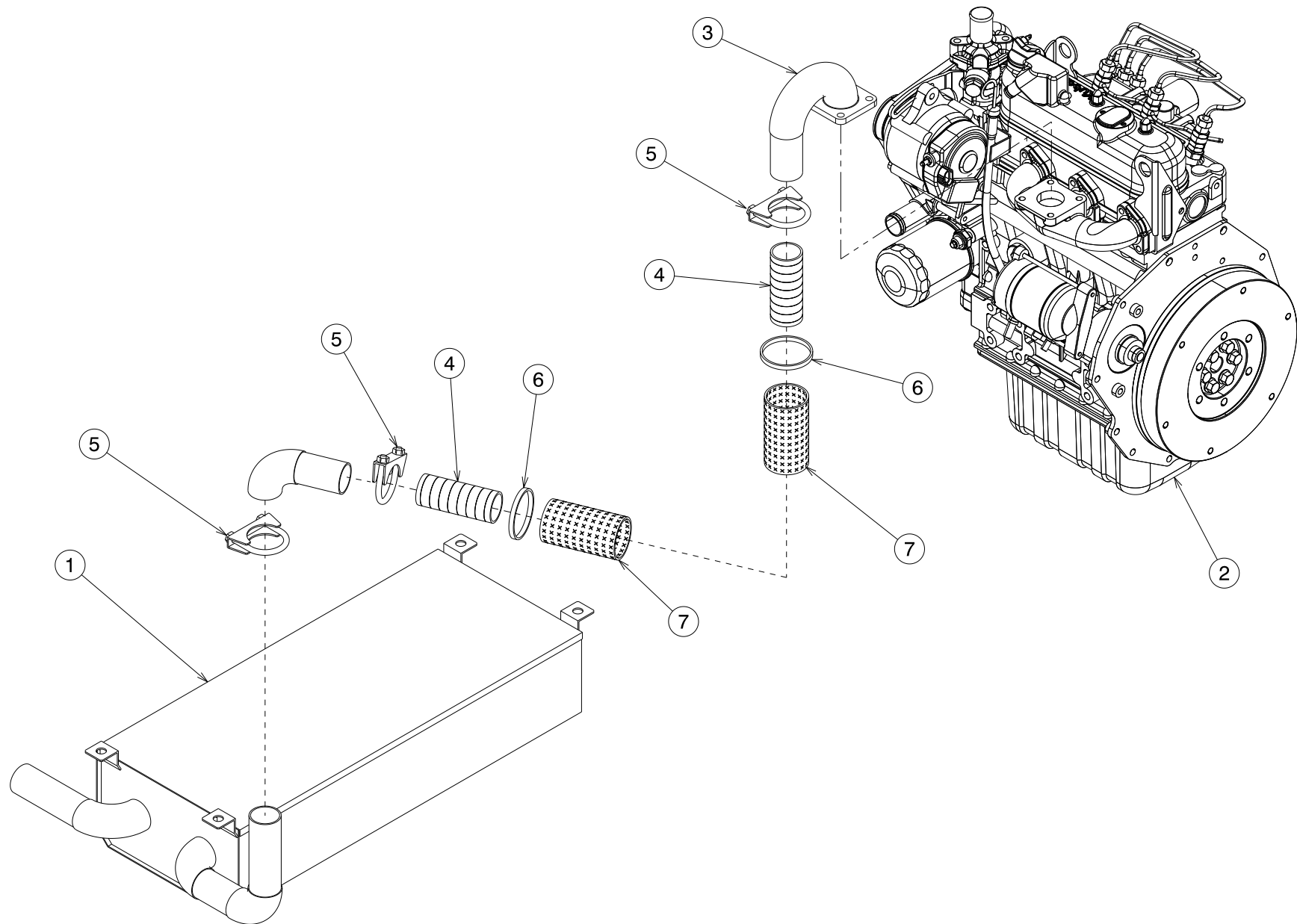
Revision: 03

17-02-2016

PARTS LEGENDA: Exhaust system

Tab. 09.1

| POSIZIONE | DESCRIZIONE | CODICE | QUANTITA' |
|-----------|-------------------------------|-------------|-----------|
| 1 | Muffler | 042-06660-S | 1 |
| 2 | Engine | 165-4004-S | 1 |
| 3 | Collector – muffler extension | 119-04910-S | 1 |
| 4 | Inox pipe d.40 | 090-0085-S | 1 |
| 5 | Pipes clamp diam.45x8 | 149-054-S | 3 |
| 6 | Pipes clampd. 40/60 | 149-135-S | 2 |
| 7 | Fiber glass braiding (d.40) | 097-030-G | 1 |



Motocompressor – MDVN 26K

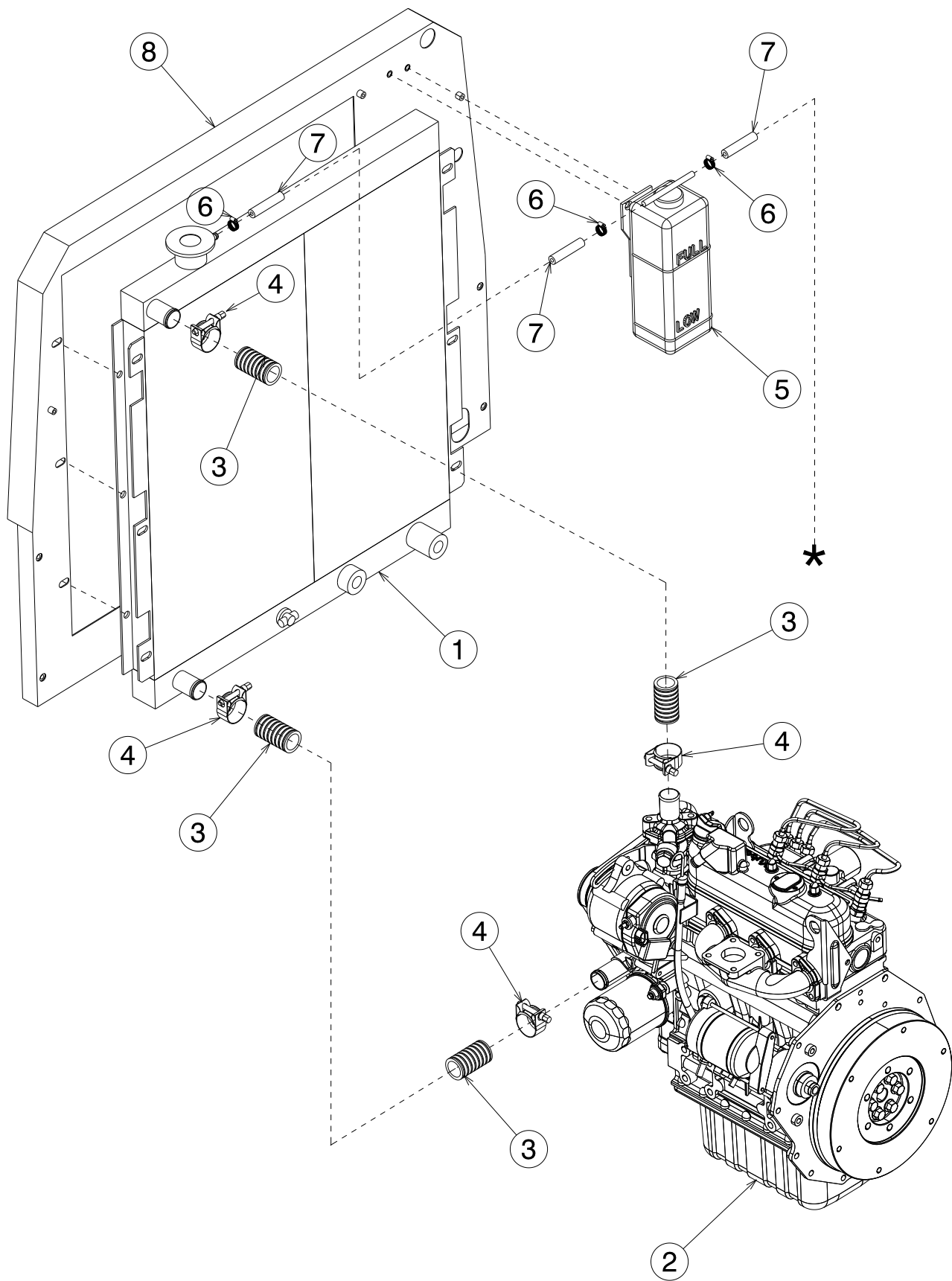
Revision: 03

17-02-2016

PARTS LEGENDA: Cooling system

Tab. 09.2

| REF | NAME | CODE | QUANTITY |
|-----|-----------------------------|--------------|----------|
| 1 | Water – Air Radiator | 011-09141-S | 1 |
| 2 | Engine | 165-4004-S | 1 |
| 3 | Pipe diam.28x36 | 089-009-S | 2 |
| 4 | Pipe sa 34-37 | 149-308-S | 4 |
| 5 | Expansion tank kit | 044-098065-S | 1 |
| 6 | Clamp diam 10x16 | 149-007-S | 3 |
| 7 | Anti-oil pipe for fuel 13x6 | 089-110-S | 2 |
| 8 | Radiator support | 049-11021-S | 1 |
| * | Drain bottom the frame | | |



Motocompressor – MDVN 26K

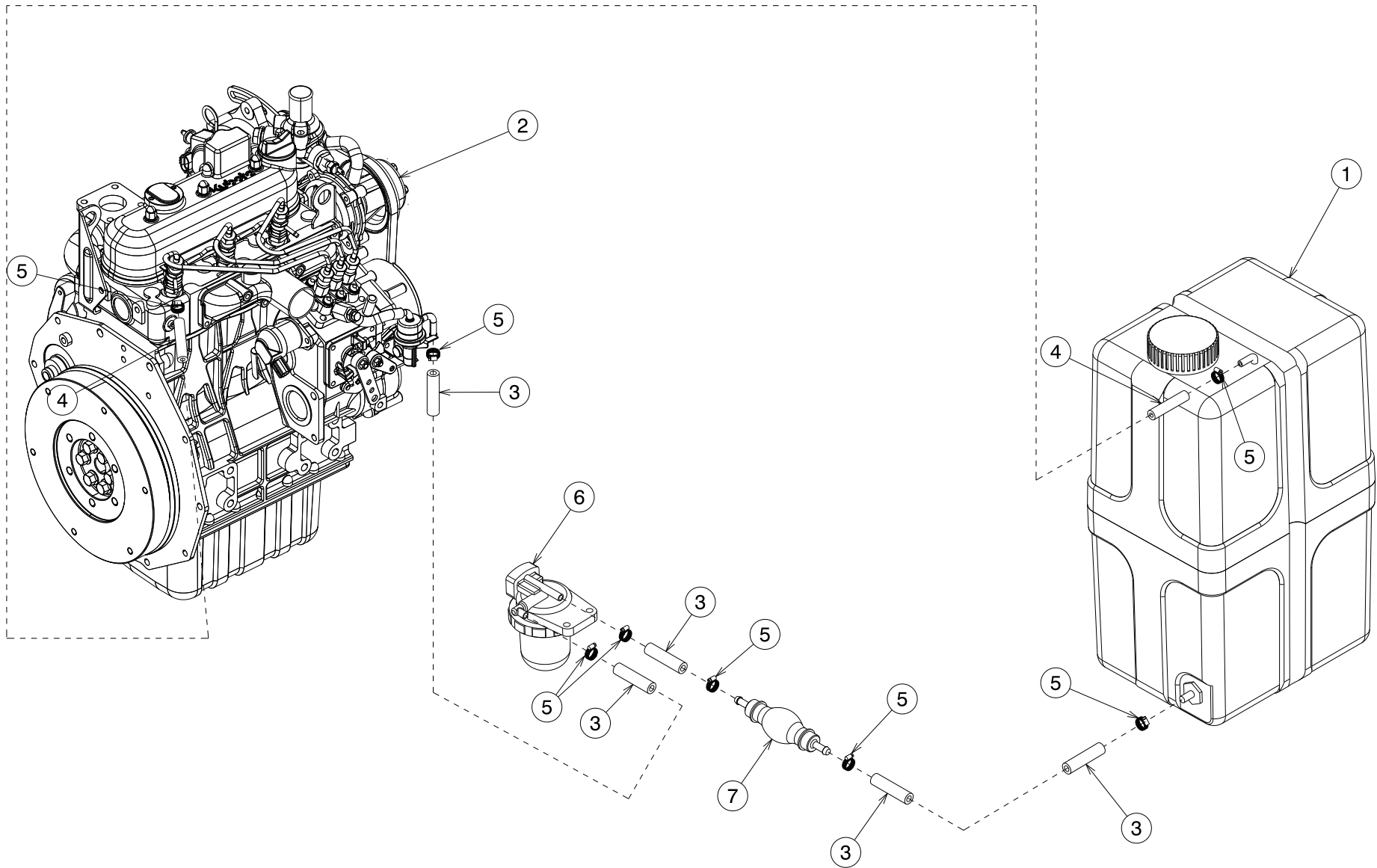
Revision: 03

17-02-2016

PARTS LEGENDA: Fuel system

Tab. 09.3

| REF | NAME | | CODE | QUANTITY |
|-----|-----------------------------|------------------------|------------|----------|
| 1 | Gasoil tank | | 201-013-S | 1 |
| 2 | Engine | | 165-4004-S | 1 |
| 3 | Anti-oil pipe for fuel 15x8 | | 089-120-S | 3 |
| 4 | Anti-oil pipe for fuel 13x6 | | 089-110-S | 1 |
| 5 | Pipe clamp d. 10x16 | | 149-007-S | 8 |
| 6 | Gasoil filter | To serial No. C38934 | 191-070-S | 1 |
| | Gasoil filter | From serial No. C38935 | 191-0690-S | 1 |
| 7 | Petrol pump | | 021-0305-S | 1 |



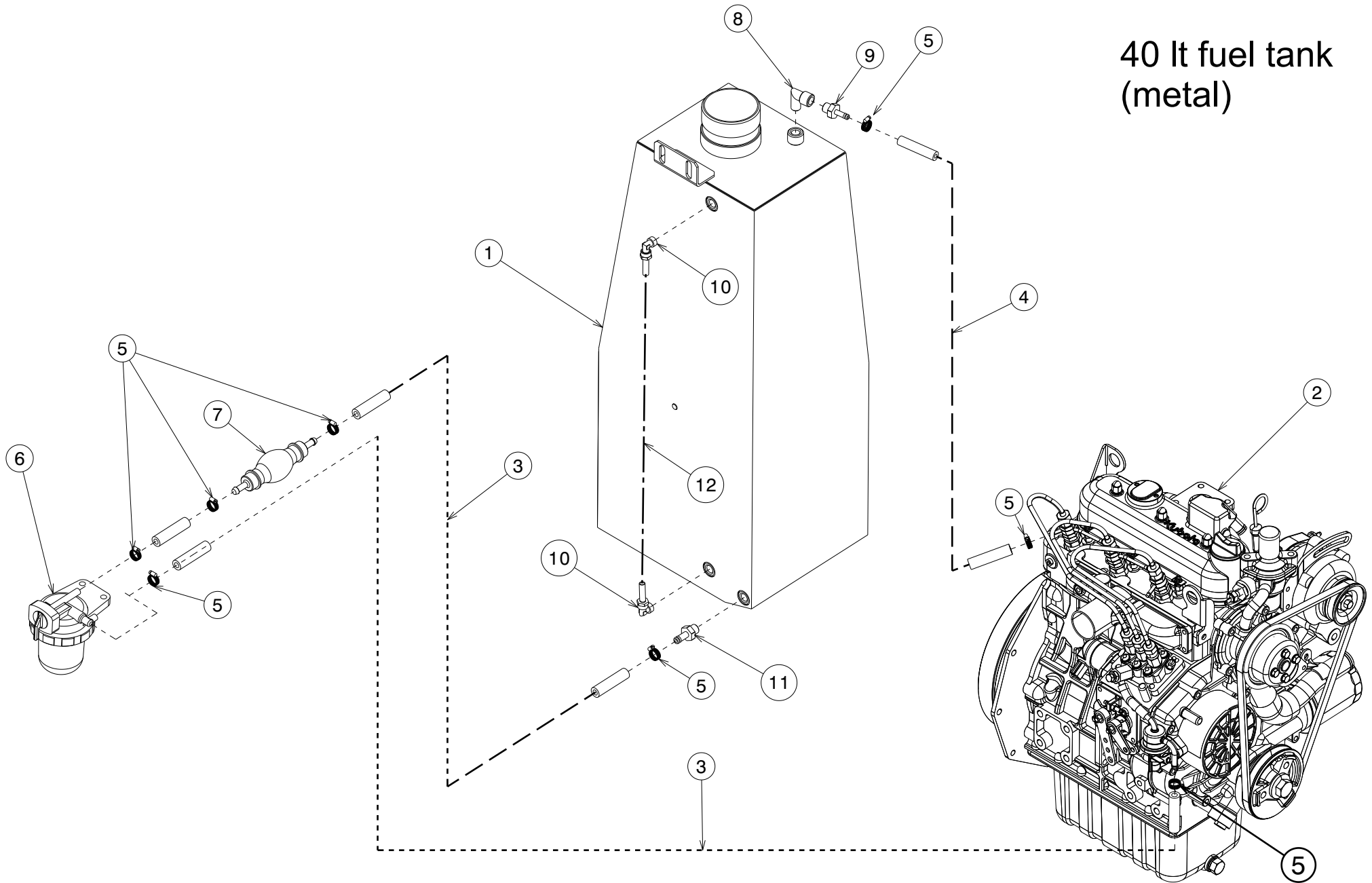
Motocompressor – MDVN 26K

PARTS LEGENDA: Fuel tank 40lt

Tab. 09.3.1

| REF | NAME | CODE | QUANTITY |
|-----|--------------------------------------|--------------|----------|
| 1 | Gasoil tank | 201-040101-S | 1 |
| 2 | Engine | 165-4004-S | 1 |
| 3 | Anti-oil pipe for fuel 15x8 | 089-120-S | 1 |
| 4 | Anti-oil pipe for fuel 13x6 | 089-110-S | 1 |
| 5 | Pipe clamp d. 10x16 | 149-007-S | 8 |
| 6 | Gasoil filter | 191-0690-S | 1 |
| 7 | Petrol pump | 021-0305-S | 1 |
| 8 | 90° fitting (1/4") | 148-143-S | 1 |
| 9 | 90° fitting (1/4") for pipe d.8 | 148-110-S | 2 |
| 10 | Fitting M (1/4") for pipe d.6 | 148-198.1-S | 1 |
| 11 | Fitting M (1/4") for pipe d.8 + OR | 148-198.21-S | 1 |
| 12 | Rylsan pipe d.8 white | 089-060-S | 1 |

40 lt fuel tank
(metal)



Motocompressor – MDVN 26K

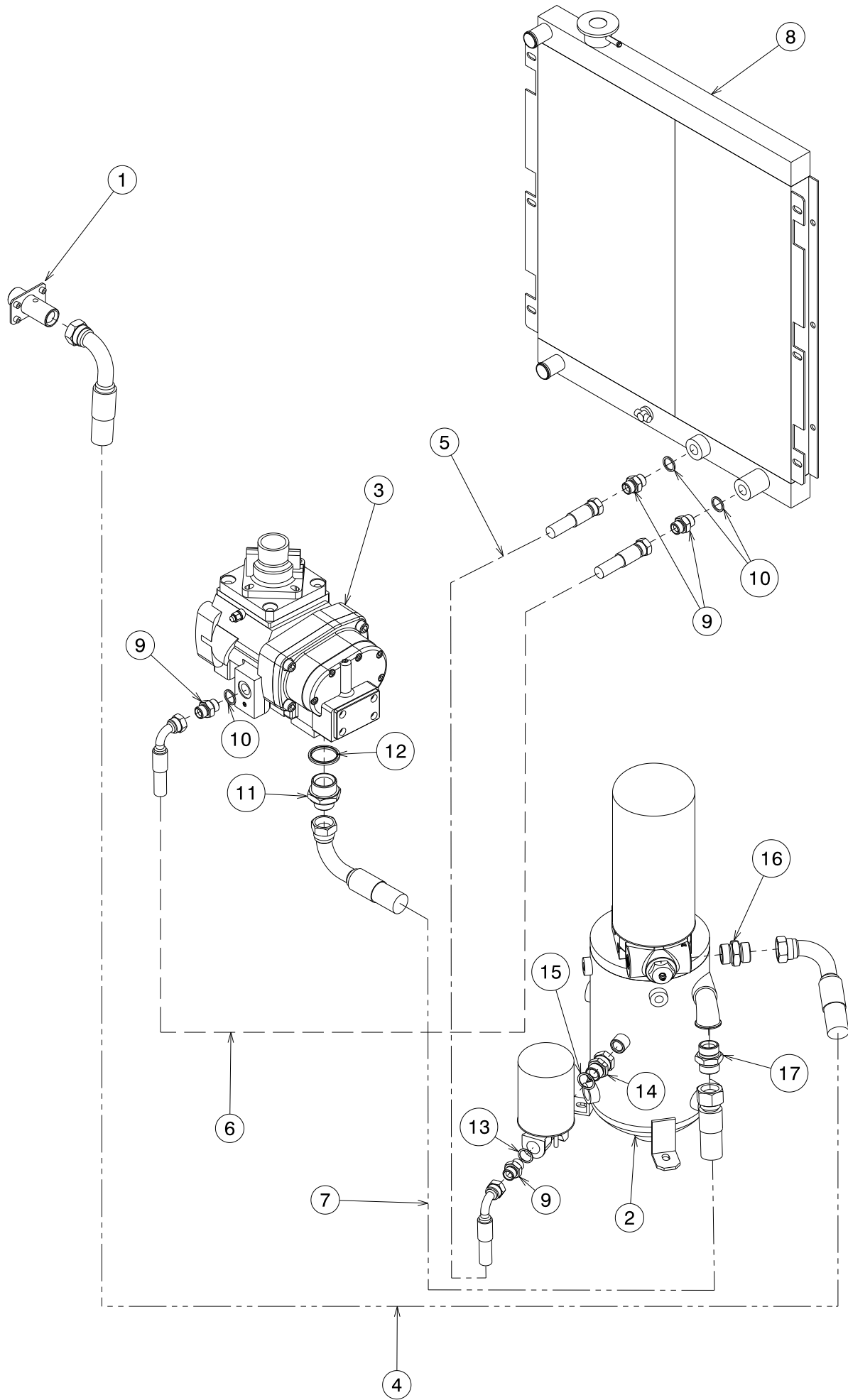
Revision: 03

17-02-2016

PARTS LEGENDA: Cooling system

Tab. 09.4

| REF | NAME | CODE | QUANTITY |
|-----|---|----------------|----------|
| 1 | Taps connections | 063-10310-S | 1 |
| 2 | Separator tank (2.7 - 10 lt) | 037-00101-F | 1 |
| 3 | Air End assembly | 024-03291021-F | 1 |
| 4 | Pipe (1") | 065-876.6550-S | 1 |
| 5 | Pipe (1/2") | 065-576.1-S | 1 |
| 6 | Pipe (1/2") | 065-584.3-S | 1 |
| 7 | Pipe (1") | 065-853.5957-S | 1 |
| 8 | Water – oil radiator | 011-09141-S | 1 |
| 9 | Double screw 1/2 foro 12,6 | 187-045-S | 4 |
| 10 | Copper washer d.int.21x27x2 (1/2) | 015-0121-S | 3 |
| 11 | Double screw 1 a 1 1/4 | 187-075-S | 1 |
| 12 | Bonded washer 1 1/4 | 015-204-S | 1 |
| 13 | Copper washer (1/2) | 015-012-S | 1 |
| 14 | Rotating straight adapter fitting M+F 3/4 | 148-005-S | 1 |
| 15 | Copper washer (3/4) | 015-015-S | 1 |
| 16 | Double screw 1" – 1/4 foro 25,5 | 187-070-S | 1 |
| 17 | Double screw 1" | 187-069-S | 1 |



Motocompressor – MDVN 26K

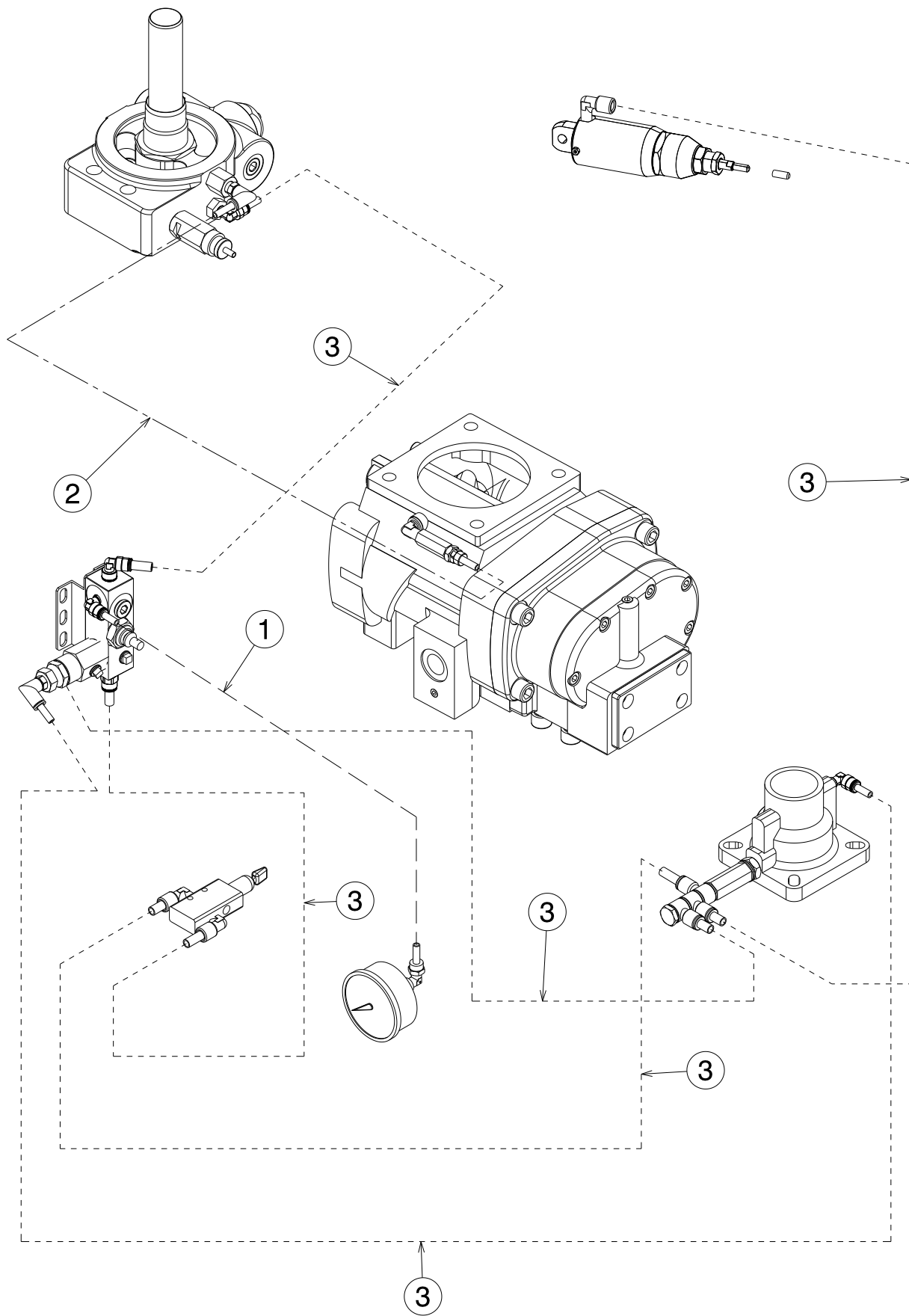
Revision: 03

17-02-2016

PARTS LEGENDA: Pneumatic system

Tab. 09.5

| REF | NAME | CODE | QUANTITY |
|-----|---------------------------|------------|----------|
| 1 | Rilsan pipe blue 6x4 | 089-0605-S | 1 |
| 2 | Polyamides white pipe 6x4 | 089-060-S | 1 |
| 3 | Rilsan pipe blue 8x6 | 089-0705-S | 5 |



Motocompressor – MDVN 22K – MDVN 26K

17-02-2020

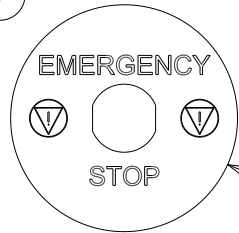
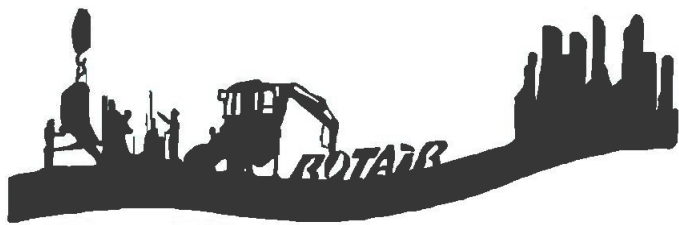
PARTS LEGENDA: Stickers

Tab. 10

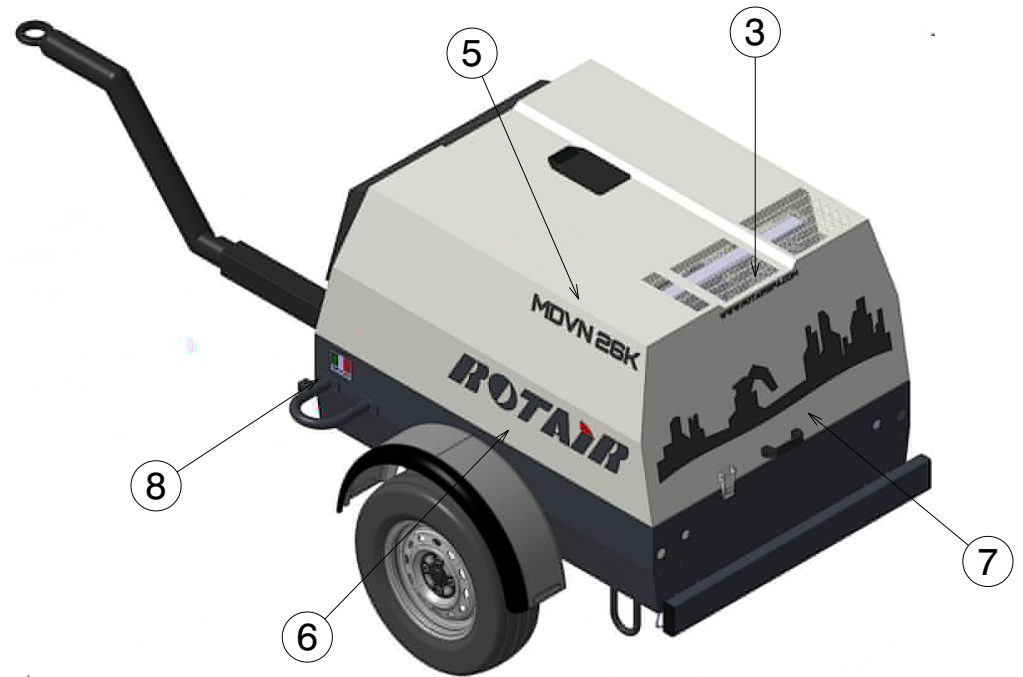
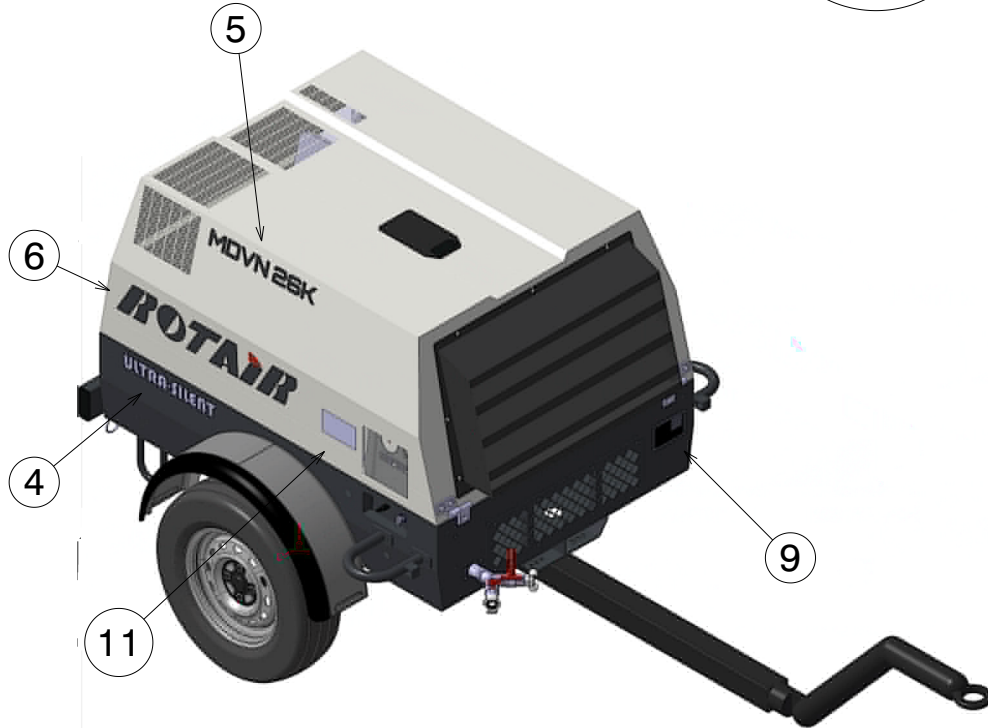
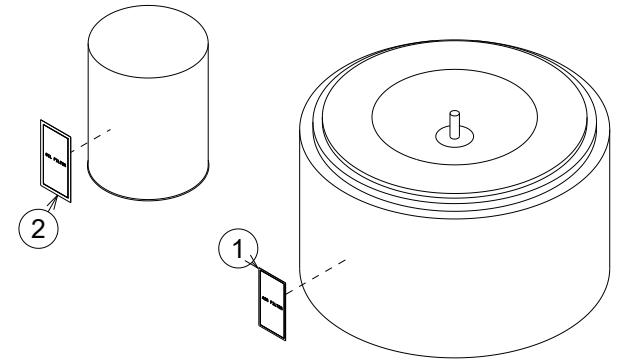
| POSIZIONE | DESCRIZIONE | CODICE | QUANTITA' |
|-----------|--|----------------|-----------|
| 1 | Satiny air filter sticker | 238-001-S | 1 |
| 2 | Satiny oil filter sticker | 238-002-S | 1 |
| 3 | www.rotairspa.com sticker | 238-342.1-S | 1 |
| 4 | Ultra-silent grey sticker | 238-0381-S | 1 |
| 5 | MDVN 22K sticker | 238-016522.1-S | 2 |
| | MDVN 26K sticker | 238-016526.1-S | 2 |
| 6 | Rotair sticker | 238-0215.1-S | 2 |
| 7 | "Building yard" grey sticker | 238-35740.1-S | 1 |
| 8 | "Made in Italy" sticker | 238-35800-S | 1 |
| 9 | Moto-compressor serial no. plate | 238-1457-S | 1 |
| 10 | Emergency stop sticker | 238-3113-S | 1 |
| 11 | Dangers and cautions stickers | 238-1240.2-S | 1 |

ROTAIR

WWW.ROTAIRSPA.COM



ULTRA-SILENT



PARTS LIST

Motocompressor – MDVN 26K

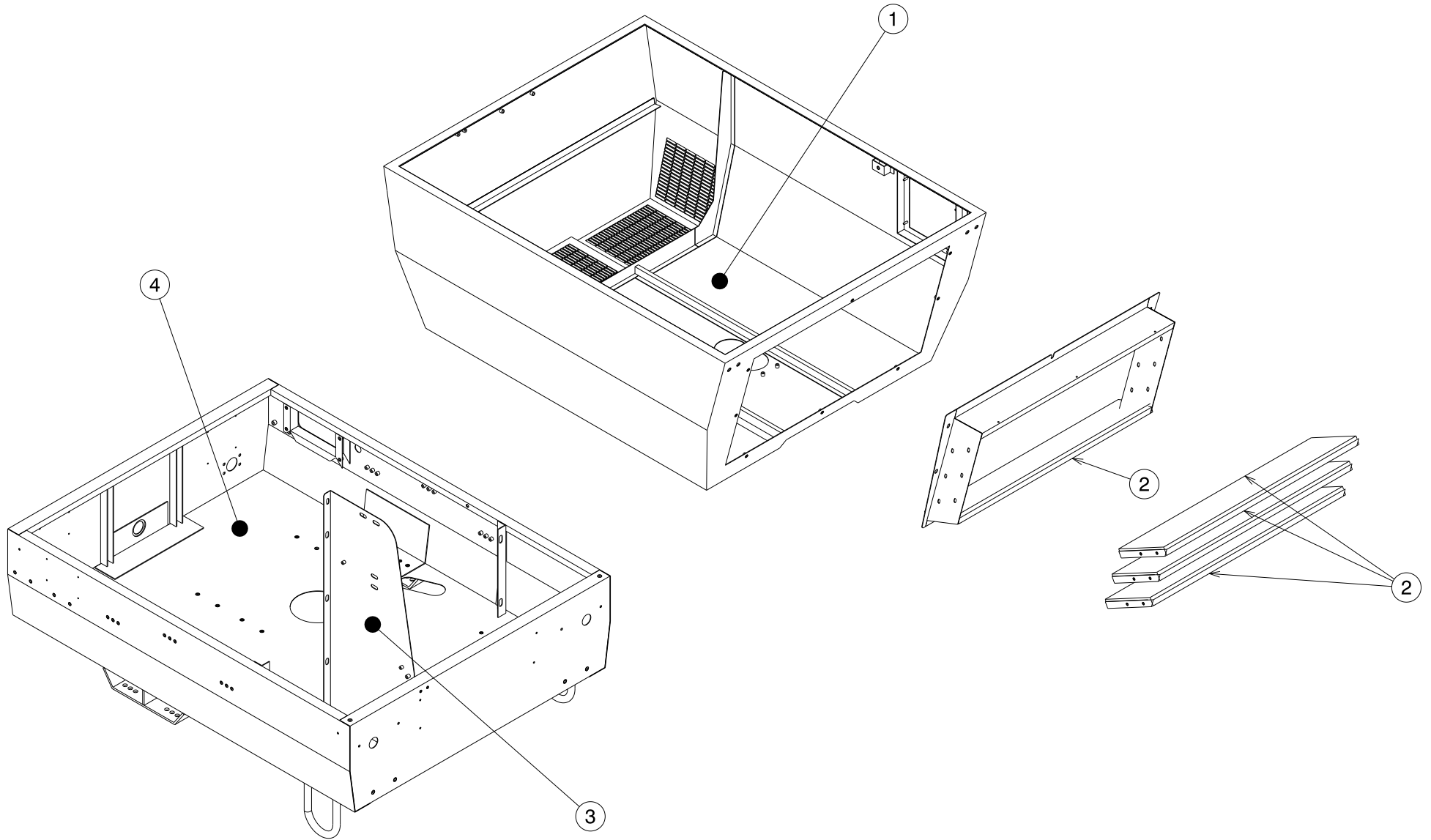
Revision: 04

20-07-2016

PARTS LEGENDA: Sound proofing Kit

Tab. 11

| REF | NAME | CODE | QUANTITY |
|-----|--|---------------|----------|
| 1 | Canopy soundproofing kit | 204-3240702-S | 1 |
| 2 | Air intake soundproofing kit | 204-324072-S | 3 |
| 3 | Gasoli tank protection panel soundproofing kit | 204-324075-S | 1 |
| 4 | Chassis soundproofing kit | 204-324074-S | 1 |



Motocompressor – MDVN 26K

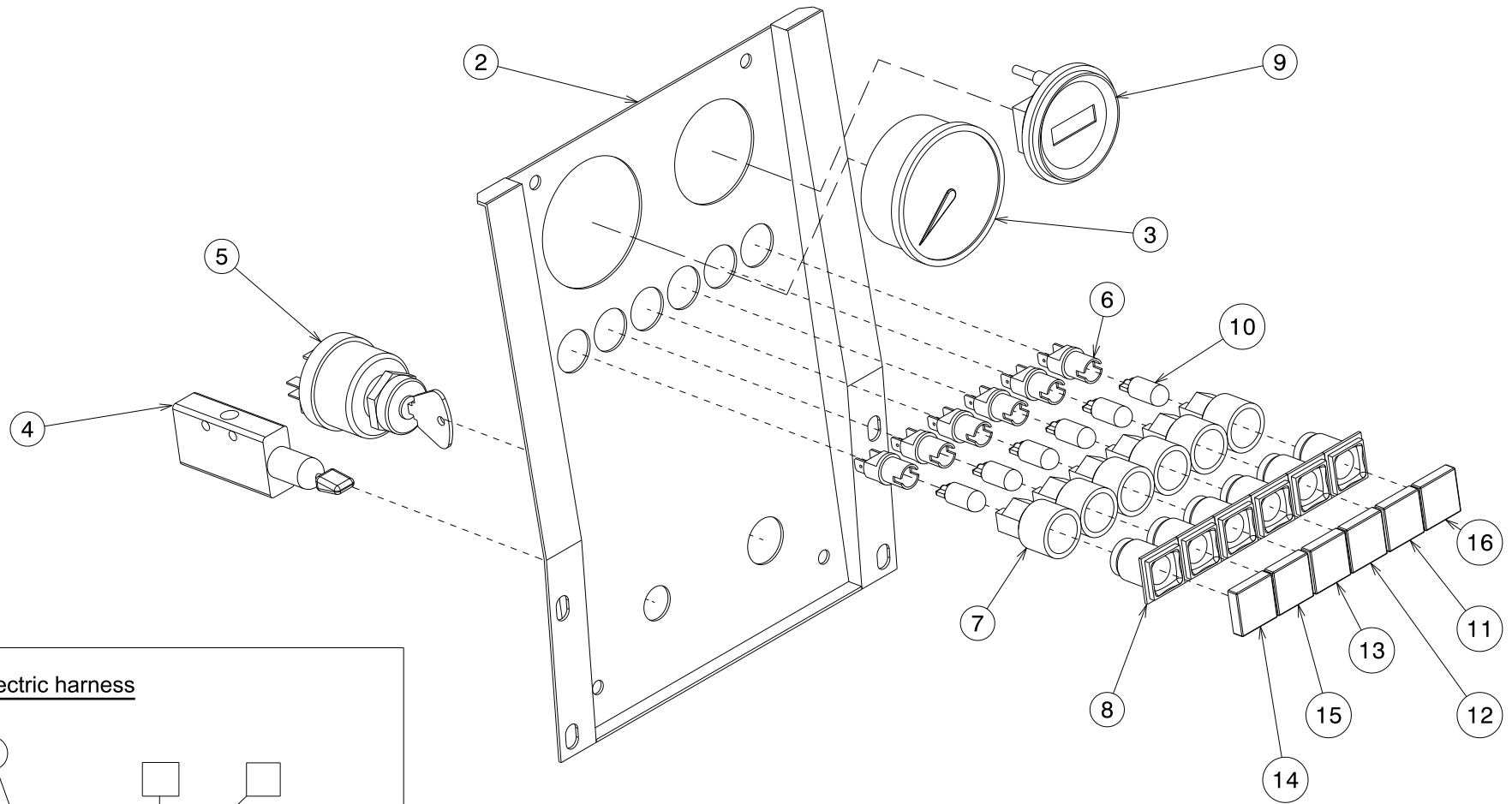
Revision: 03

17-02-2016

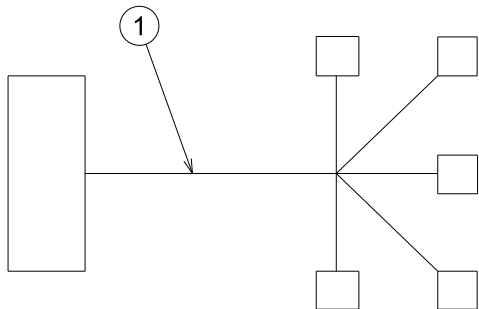
PARTS LEGENDA: Control panel

Tab. 12

| REF | NAME | CODE | QUANTITY |
|-----|---------------------------------|--------------|----------|
| 1 | Electrical harness | 224-0376-S | 1 |
| 2 | Control panel | 040-051500-S | 1 |
| 3 | Air pressure gauge 10 Bar | 206-010-S | 1 |
| 4 | Valve for low pressure start-up | 033-029-S | 1 |
| 5 | Ignition switch | 274-011-S | 1 |
| 6 | Lamp holder | 270-010-S | 6 |
| 7 | Front part holder | 274-010-S | 6 |
| 8 | Front part | 275-010-S | 6 |
| 9 | Electronic hour-counter | 180-010-S | 1 |
| 10 | Lamp | 275-010-S | 6 |
| 11 | Low pressure oil glass | 276-011-S | 1 |
| 12 | Max temp. Water glass | 276-015-S | 1 |
| 13 | Battery glass | 276-012-S | 1 |
| 14 | Air filter choke glass | 276-013-S | 1 |
| 15 | Preheating glass | 276-014-S | 1 |
| 16 | Fuel glass | 276-018-S | 1 |



Electric harness



Motocompressor – MDVN 26K

Revision: 03

17-02-2016

LEGENDA: Filters Kit

Tab. 13

| REF | NAME | CODE | QUANTITY |
|---------------------------------------|--|--------------------|----------|
| Standard filters kit | | 204-05061-S | |
| 1 | Engine gasoil filter to <u>Serial No. C38934</u> | 191-070-S | 1 |
| | Engine gasoil filter from <u>Serial No. C38935</u> | 191-0690-S | 1 |
| 2 | Compressor oil filter | 099-007-S | 1 |
| 3 | Engine oil filter | 099-060-S | 1 |
| 4 | 1° engine air filter | 162-112-S | 1 |
| 5 | 2° engine air filter | 162-113-S | 1 |
| 6 | Compressor air filter | 162-0075-S | 1 |
| 500 working hours filters kit | | 204-05063-S | |
| 1 | Engine gasoil filter to <u>Serial No. C38934</u> | 191-070-S | 2 |
| | Engine gasoil filter from <u>Serial No. C38935</u> | 191-0690-S | 2 |
| 2 | Compressor oil filter | 099-007-S | 1 |
| 3 | Engine oil filter | 099-060-S | 2 |
| 4 | 1° engine air filter | 162-112-S | 1 |
| 5 | 2° engine air filter | 162-113-S | 1 |
| 6 | Compressor air filter | 162-0075-S | 1 |
| 2000 working hours filters kit | | 204-05065-S | |
| 1 | Engine gasoil filter to <u>Serial No. C38934</u> | 191-070-S | 8 |
| | Engine gasoil filter from <u>Serial No. C38935</u> | 191-0690-S | 8 |
| 2 | Compressor oil filter | 099-007-S | 4 |
| 3 | Engine oil filter | 099-060-S | 8 |
| 4 | 1° engine air filter | 162-112-S | 4 |
| 5 | 2° engine air filter | 162-113-S | 4 |
| 6 | Compressor air filter | 162-0075-S | 4 |
| 7 | Separator filter | 157-170-S | 1 |

